

ULTRA POCKET DOUBLE HUNG



KOLBE
WINDOWS & DOORS

See the Difference Quality Makes®

KOLBE ULTRA POCKET DOUBLE HUNG

Once the old sash are removed, simply insert and secure the new window unit.



Interior stops are replaced to finish up the installation of the Ultra pocket double hung.



Simple Replacement Steps. Outstanding Results.

The Kolbe® Ultra pocket double hung is an all-in-one replacement window unit. This unique feature means that existing trim and framework do not have to be removed before installation, helping to eliminate excess work and potential damage. Not only is installation simplified, but by replacing your old windows with energy efficient ones, you will save on heating and cooling costs throughout the year.

Featuring a 3-1/4" pocket jamb depth, the unit fits into most standard replacement applications. The exterior frame and sash are made of a durable extruded aluminum and are coated with a 70% fluoropolymer finish. Both sash contain LoE²-270 insulating glass, and can be tilted in for easy cleaning and removal. PVC jamb liners are hidden by a wood-wrapped jamb liner closure on the interior and an extruded aluminum jamb liner closure on the exterior, creating a smooth overall appearance.

Each unit is built to meet exact specifications, allowing for complete customization. Besides standard double hungs and studio units, expand the replacement possibilities with segment head and half-circle top units. With a large selection of exterior and interior finishes, color matching will never be an issue. Or, for a more distinct look, custom colors and finishes are also available.

With simple installation, custom sizes and options, the Ultra pocket double hung is a perfect choice for any scale remodeling or renovation project. Talk to your local Kolbe dealer for more information.

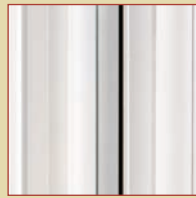
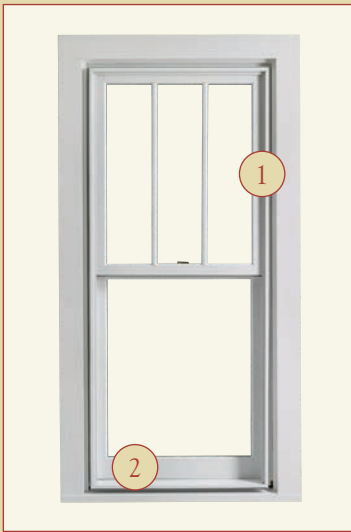
Simplify the concept of replacing windows.

Installing an Ultra pocket double hung is quick and easy:

- Remove the interior sash stops from the existing window
- Remove existing top and bottom sash
- Insert the Ultra pocket double hung into the existing frame making sure the unit is plumb, level and square
- Secure the unit within the frame
- Install the interior sash stops
- Optional step: Apply exterior trim

Note: Units can be installed from either the interior or exterior.

exterior view

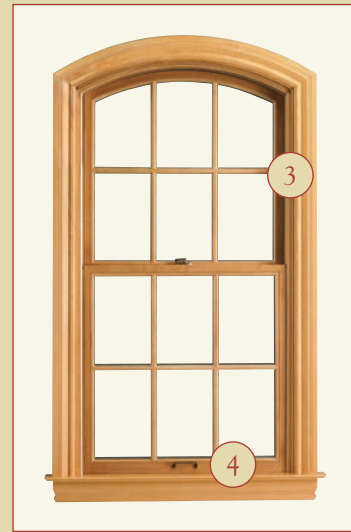


1. Hidden exterior PVC jambliner



2. Coped corners for a traditional look

interior view



3. Hidden interior PVC jambliner

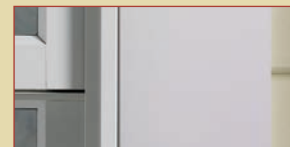


4. Optional sash lift handle

optional extruded exterior trim example



original trim left intact



exterior trim applied over existing trim

STANDARD FEATURES:

- 1-3/4" thick sash
- 3-1/4" pocket jamb depth
- 7° sill slope
- Constructed of pine
- .050" thick extruded aluminum frames and sash for greater strength and durability
- 70% PVDF fluoropolymer finish on frames and sash (meets performance requirements of AAMA 2605-05)
- Wood-wrapped jambliner closure conceals interior PVC jambliner (unless interior is prefinished white or primed, then closure will be paintable white PVC)
- Extruded aluminum jambliner closure conceals exterior PVC jambliner
- Wood head parting stop
- Interior glazed with 7/8" LoE²-270 insulating glass*
- Fully weatherstripped on both sash and frame for a tight seal
- Heavy-duty, Clay-colored sash lock
- Tilt latches for easy tilt operation, color-matched to sash lock
- Full screens in exterior clad colors and fiberglass mesh

OPTIONAL FEATURES:

- 3 styles of divided lites: performance divided lites, wood removable grilles and grilles-in-the-airspace
- Other wood species available
- LoE²-240, LoE³-366 insulating glass* or other glazing options standard to the industry
- Interior prefinishing
- Sash locks in White, Beige and Brass or custom finishes in Antique Brass, Satin Nickel, Antique Nickel, Rustic Umber and Matte Black
- Sash lift handles colored-matched to sash lock
- BetterVue[®] screen mesh
- Exterior trim (shipped loose)
- Transom and studio units
- Segment head and half-circle top units

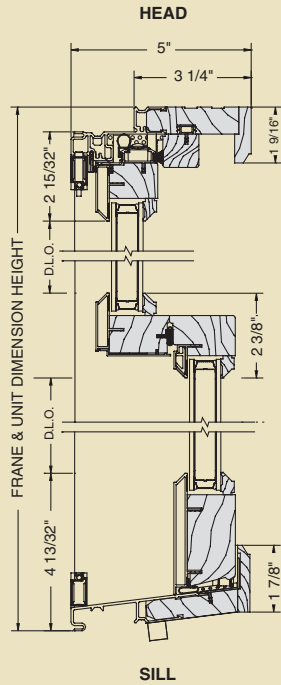
* Argon gas may not be included with units to be installed or shipped through high altitude areas.

Notes:

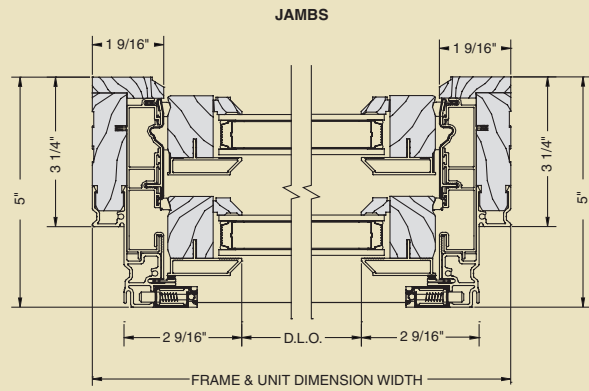
Ask your Kolbe dealer for more details about size availability and additional options. Measuring and Installation Guides are available at www.kolbe-kolbe.com.

POCKET DOUBLE HUNG CROSS SECTION DRAWINGS

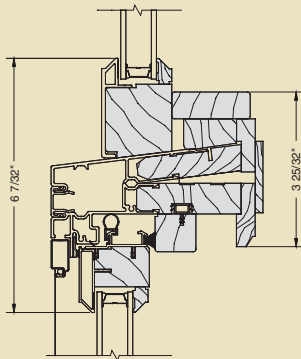
Vertical Section



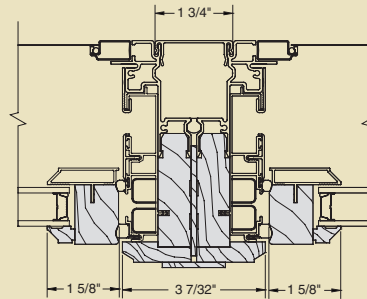
Horizontal Section



RECTANGULAR TRANSOM STACKED OVER POCKET DOUBLE HUNG



ACTIVE UNIT TO ACTIVE UNIT MULLION

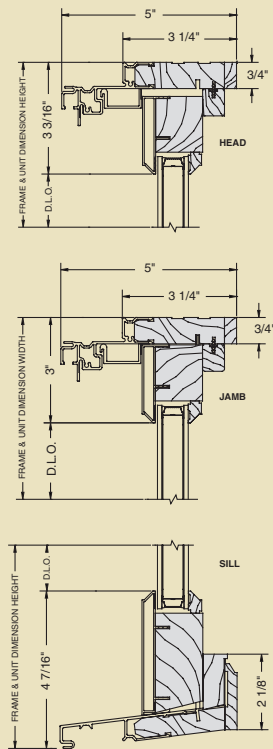


Drawings are not to scale.

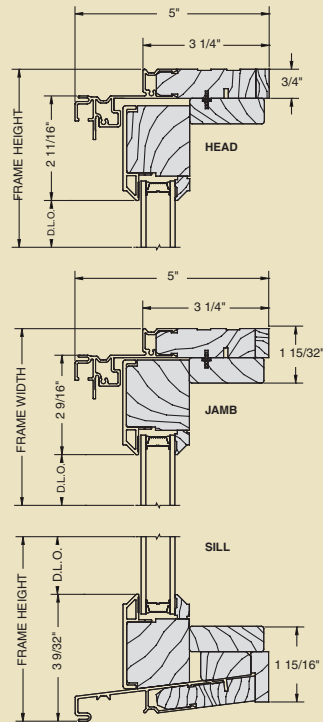
Additional and the most current drawings are available at www.kolbe-kolbe.com

POCKET DOUBLE HUNG CROSS SECTION DRAWINGS

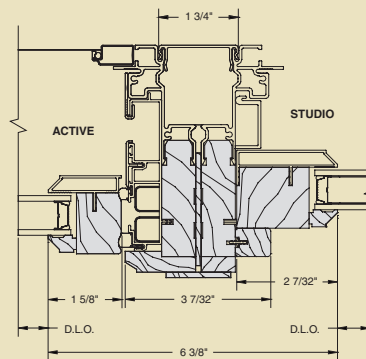
Studio Unit



Transom Unit



STUDIO UNIT TO ACTIVE UNIT MULLION



Drawings are not to scale.

Additional and the most current drawings are available at www.kolbe-kolbe.com

Ultra Pocket Double Hung Measuring Guide

Determining if the Ultra Pocket Double Hung is Right for You:

Check the existing frame for any signs of damaged or rotted wood. Repair or replace any damaged or rotted wood on the frame. Next, measure horizontally between the blindstop and the interior stop (Figure 1) to determine the jamb depth. If the damage cannot be repaired or the jamb depth is less than 3-1/4", the Ultra pocket double hung will not work for you. A new unit with full frame replacement will have to be used instead.

Measuring the Opening:

Things To Remember:

- > Record measurements and round down to the nearest 1/8".
- > Measure each window, even if they appear to be the same size.

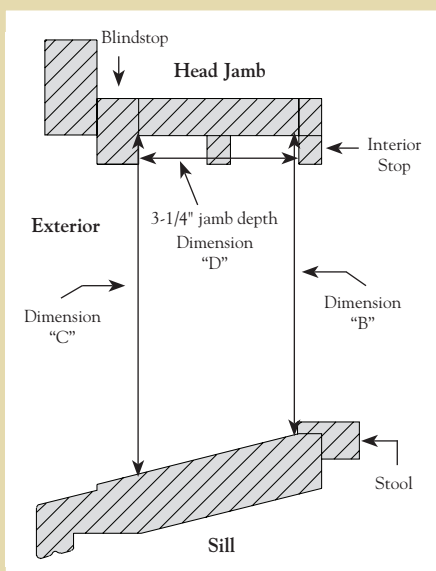


Figure 1 - Cross Section Detail

1. Check the opening for squareness. Measure diagonally from corner to corner, repeat for remaining corners (Figure 2). Measurements should be within 1/4" of each other. If the measurements are not similar, you will have to downsize the new unit accordingly in order to square the new unit in the existing frame.
2. Raise or remove the sash to take the measurements. You may also need to remove the jamb liners if the side jambs are not visible (Figure 1a).
3. To determine the width of the new window, measure from side jamb to side jamb. Measure across the top, middle and bottom to find the smallest dimension (Figure 3). The smallest measurement will be dimension "A".

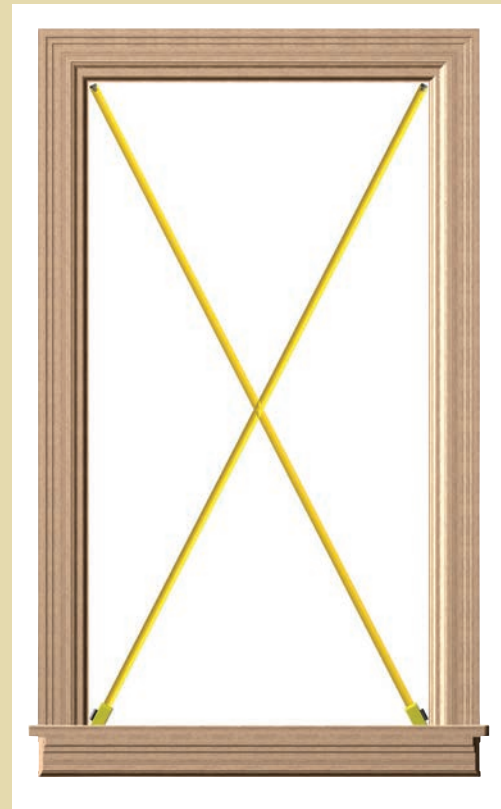


Figure 2 - Interior View
Measure existing frame diagonally to check squareness.

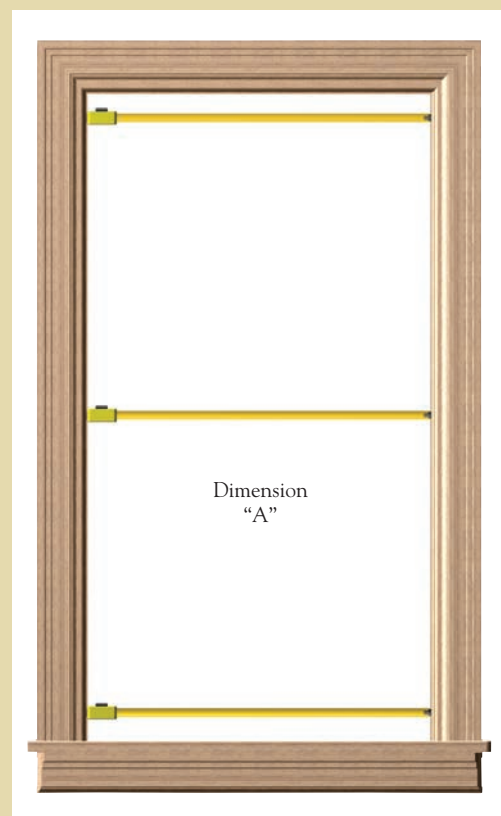


Figure 3 - Interior View
Measure existing frame horizontally to determine width.

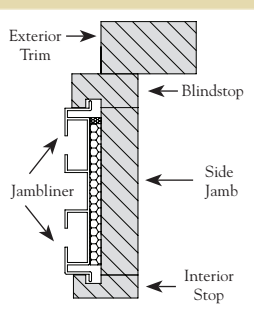


Figure 1a - Top View

4. For the height of the new window measure twice from the head jamb (top of frame) to the sill (bottom) to get dimension "B" and "C" (Figure 1). Take three measurements - one at each side and one in the middle.
5. Measure horizontally between the blindstop and the interior stop to get Dimension "D" (Figure 1).
6. Record dimension "A" (width), dimension "B" (height), dimension "C" (height) and dimension "D" (width) for each window in the chart on the following page.

Note: Kolbe will subtract 1/2" from the width and 1/4" from the height to obtain the actual size of the unit to be built. This is to make sure that the new unit will fit within the existing opening.

Ultra Pocket Double Hung Measuring Guide

The chart below is provided for easy recording of your measurements. Fill in the appropriate column for each individual window that needs replacement. On the bottom of the page there is a section for notes to make any special comments pertaining to a certain window unit (finish, wood species, etc). Contact your local Kolbe dealer for additional information on the Ultra pocket double hung window.

Window Number & Location	Dimension "A" Width	Dimension "B" Height	Dimension "C" Height	Dimension "D" Width
1				
2				
3				
4				
5				
6				
7				
8				
9				
10				
11				
12				
13				
14				
15				

Note: The minimum opening size required is 22" x 36-1/4" and the maximum *certified* opening size is 46" x 80-1/4"

Notes:

KOLBE
WINDOWS & DOORS

1323 S. 11th Avenue ■ Wausau, WI 54401-5998
715.842.5666
www.kolbe-kolbe.com