



CAPTIVA

CUSTOM WOOD DOORS MADE IN SOMERSET, MA



CAPTIVA

ALLOW YOURSELF TO BE CAPTIVATED. DISCOVER DOORS THAT ARE DIFFERENT FROM THE INSIDE OUT. BEAUTIFUL WOOD DOORS THAT ARE MADE WITH ONLY THE FINEST HAND-SELECTED MATERIALS AND ARE CONSTRUCTED USING A BALANCE OF OLD WORLD CRAFTSMANSHIP COMBINED WITH STATE-OF-THE-ART TECHNOLOGY. EVERY CAPTIVA DOOR IS CUSTOM MADE TO EXACT SPECIFICATIONS TO BE PERFECT EVERY TIME, A DOOR THAT WILL BE CHERISHED AND ADMIRER FOR YEARS TO COME.



We keep moving forward, opening new doors,
and doing new things, because we're curious
and curiosity keeps leading us down new paths.

- Walt Disney



CAPTIVA

Handcrafted in New England, which is synonymous with “Old World” traditions and fine, detail-oriented architecture, Captiva Wood Doors are built to your specifications. Creating a fusion of traditional woodworking techniques and technology, Captiva Wood Doors offer thousands of possibilities.

Artistic consciousness with the look and feel of quality is easy to recognize on our doors. We offer stave core construction, premium thickness veneers, traditional stile and rail construction, and superior panel design, as well as a choice between mortise and tenon and our very own “beaded” tenon. All pieces are hand fit together with the industry's finest adhesives on all connections.

Backed by our extensive warranty, these doors are both beautiful and exceptionally built with the next generation of owner in mind.



ALL CAPTIVA CUSTOM DOORS ARE PROUDLY MADE IN OUR MANUFACTURING FACILITY IN SOMERSET, MASSACHUSETTS. WHEN YOU CHOOSE CAPTIVA CUSTOM DOORS, YOU NOT ONLY REDUCE YOUR CARBON FOOTPRINT BY USING A LOCAL MANUFACTURER, YOU HELP EMPLOY CRAFTSMEN IN YOUR COMMUNITY.

Table of contents.

Made in U.S.A.	3
Steps to Designing Your Door	4
Anatomy of a Door	5
Door Shapes and Thicknesses	6-7
Door Construction	8-9
Wood Species	10
Panel and Sticking Options	12-13
Panel Doors	15
Louver Doors	15
Glass Doors	16-17
Specialty Glass	18
Modern Doors	20-21
Groove Options	23
Double Door Arched Pairs	24
Barn Doors and Hardware	26-27
Dutch Doors	25
Sidelites and Transoms	28-29
Fire Rate Doors and Frames	30-31
Screen and Storm Doors	32-33
Custom Designs	34
Commercial Capabilities	35
Jams, Casings and Sills	36-37
Hardware	38-39
Prefinishing	40-41
Architectural Specs	42
Door Comparison Chart	43

WWW.CAPTIVACUSTOM.COM

On the cover: 8009V with 8706V Sidelites, Sapele

Inside front cover: Custom Designed Double Door Unit and Custom Transom, Sapele

Designing your custom door.

EVERY CAPTIVA WOOD DOOR STARTS EXACTLY THE SAME: WITH THE HIGHEST QUALITY MATERIAL AND CONSTRUCTION. WHAT MAKES A DOOR UNIQUE ARE THE CHOICES YOU MAKE. EACH DOOR IS CUSTOM BUILT TO EXACT SPECIFICATIONS. WE OFFER INTERIOR AND EXTERIOR PANEL DOORS, FLUSH DOORS, DOORS WITH GLASS, FIRE-RATED DOORS, BARN AND SLIDING DOORS, DUTCH DOORS, SCREEN AND STORM DOORS.

CONFIGURATION	CONSTRUCTION	SPECIES
1 <ul style="list-style-type: none">· Door Shape· Sidelites· Transom	2 <ul style="list-style-type: none">· Joinery· Veneer· Door Thickness	3 <ul style="list-style-type: none">· Wood Species· MDF (interior)
PANEL AND STICKING	GLASS	FRAME SYSTEM
4 <ul style="list-style-type: none">· Standard Profile· Custom Profile	5 <ul style="list-style-type: none">· Clear· Decorative· Pane Thickness· Muntin Bars· TDL and SDL	6 <ul style="list-style-type: none">· Jamb· Sill· Casing· Trim
HARDWARE	FINISHING	
7 <ul style="list-style-type: none">· Residential· Multipoint· Electronic· Commercial	8 <ul style="list-style-type: none">· Unfinished· Primed· Painted· Stained· Clear Coat	

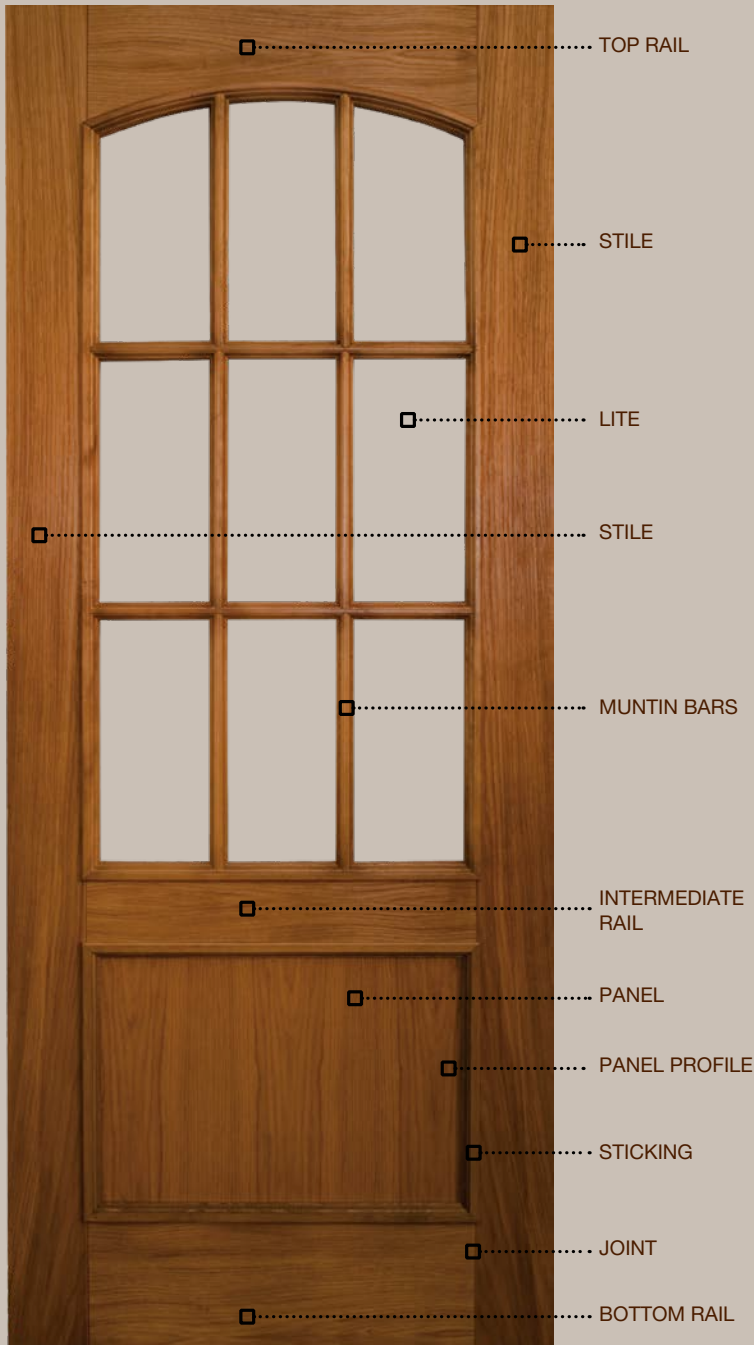


Not sure where to begin? Scan the QR code to visit our online photo gallery and get inspired.





Anatomy of a door.



Glossary of terms.

Joinery

The method used to join the door stiles to the top, bottom, and lock rails. Examples include mortise & tenon, dowels, beaded mortise & tenon, lag screws or bolts. *See page 8 for more information.*

Lites

A framed opening in a door containing a pane of glass. *See pages 16-18 for glass options.*

Muntin Bars

The narrow horizontal and/or vertical bars in a door lite that separate the individual panes of glass. *See page 17 for muntin bar options.*

Panel Profile

The dimensional shape exposed edge of the outside perimeter of the panel. *See page 12 for panel profile options.*

Panels

The solid sections for the doors that are framed by the stiles and rails. *See page 12 for panel options.*

Rails

The horizontal components located at the top, bottom, and mid-sections of the door that extend between the stiles and frame the panels and lites.

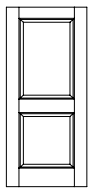
Sticking

The profile that is moulded into the stiles and rails to frame and encase the panels or lites. *See page 13 for sticking options.*

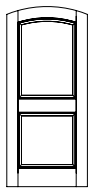
Stiles

The vertical components located at the left and right edges of the door.

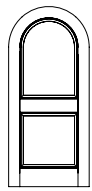
Door shapes.



S
Square



A
Arch



R
Round

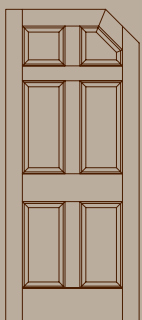
TAKING INTO CONSIDERATION THE ARCHITECTURAL STYLE OF YOUR HOME OR THE LOOK THAT YOU WANT TO ACHIEVE, CAPTIVA WOOD DOORS ARE AVAILABLE IN OUR STANDARD SHAPES OF SQUARE, ARCHED OR ROUND. WE ALSO MAKE CUSTOM DOOR TOP SHAPES WHICH ARE OFTEN USED IN CHURCHES, REPRODUCTION PROJECTS, COMMERCIAL APPLICATIONS OR HOMES THAT REQUIRE A TRULY UNIQUE LOOK.



Custom Designed Double Door Units



8633A Door, Sapele

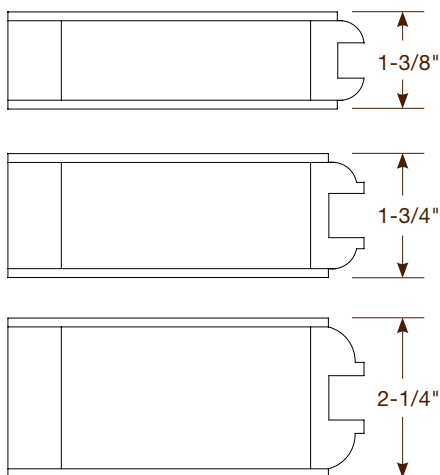
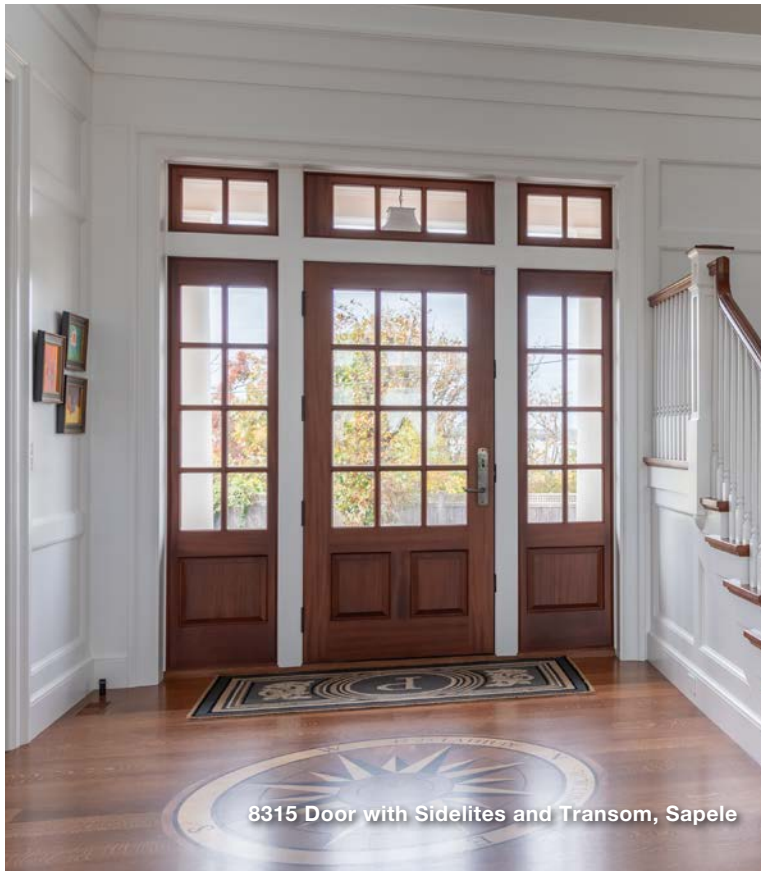


Clipped Corner Doors

To maximize architectural integrity, Captiva Wood Doors are also available with clipped corners for doors that meet an angled ceiling (such as in an attic or under a stair).

Thickness/interior & exterior.

THERE ARE NO SUBSTITUTES FOR WOOD DOORS. THE STURDY MATERIALS USED ARE EXPENSIVE INITIALLY, BUT THEY PAY FOR THEMSELVES IN BUILDING CHARACTER AND DURABILITY IN THE LONG RUN. NATURAL BUILDING MATERIALS LIKE WOOD HAVE AN ORGANIC BEAUTY THAT CANNOT BE REPRODUCED BY SYNTHETIC SUBSTITUTES.



Interior and Exterior Doors

To help you coordinate all of the doors in your home, Captiva doors are made for both interior and exterior use. Builders, architects, and designers often consider the interior and exterior doors as two different design elements. Captiva allows both the interior and exterior doors to be supplied by one manufacturer with matching details in panels, sticking, and species. As pictured above, matching the species of wood for all your doors, even if the individual designs of the door are not the same, will give you a unified look throughout the home while maintaining visual interest.

Door Thickness

We offer three standard door thicknesses: 1-3/8", 1-3/4", and 2-1/4". Our 1-3/8" doors are recommended and warranted for interior use only. Custom thicknesses also available.

Door construction.



WE ARE PROUD TO OFFER TWO SERIES OF CAPTIVA WOOD DOORS. OUR CAPTIVA SELECT DOORS OFFER YOU ALL THE WELL-CRAFTED BEAUTY OF THE FINEST WOOD DOOR. OUR CAPTIVA TRADITIONAL DOORS ARE CONSTRUCTED THE WAY CRAFTSMEN HAVE BEEN MAKING DOORS FOR CENTURIES, USING TRADITIONAL MORTISE AND TENON JOINERY. TRADITIONAL SERIES DOORS THAT INCORPORATE CURVED RAILS WILL HAVE SOLID WOOD RAILS.

Captiva Select Doors

Constructed to the highest specifications, these doors use state-of-the-art beaded mortise and tenon joinery combined with stave core stiles and solid rails to ensure that every door is straight and true for years.



Beaded Mortise and Tenon
Tight fitting beaded mortise and tenon joinery is far superior to the doweled joints that most other door manufacturers use. Our beaded mortise and tenon provides more surface area for glue adhesion vastly increasing the strength of the joint.



Solid Rails



Stave Core Stiles with 1/8" Veneers

Captiva Select doors meet AWI Premium standards and specifications when book match panels are specified.

Captiva Traditional Doors

With traditional mortise and tenon joinery, stave core stiles and rails, and 1/4" veneers, these doors are made for the purist who appreciates a door that is made using classic woodworking methods.



Traditional Mortise and Tenon
Simple and strong, the mortise and tenon joint has been used for millennia by woodworkers around the world to join two pieces of wood. We've kept up the tradition by using this time tested method of joinery in our Captiva Traditional series doors.



Stave Core Rails with 1/4" Veneers



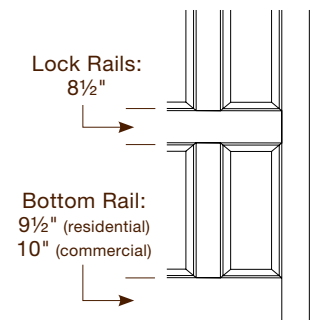
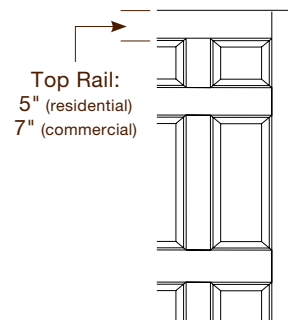
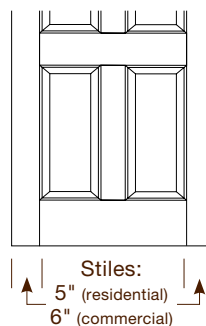
Stave Core Stiles with 1/4" Veneers

Captiva Traditional doors meet AWI Premium standards and specifications when book match panels are specified.

Standard Stile and Rail Dimensions

To the right please find the standard stile and rail dimensions that we use when constructing our Captiva Select and Traditional doors. If your project requires specific stile or rail dimensions, our Captiva team is available to work with you.

Note: Dimensions include sticking. Certain hardware and prep requires larger stiles (i.e. mortise pockets). Doors built below standard dimensions may void warranty.



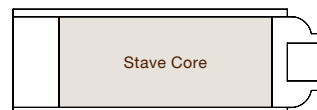


8030 Double Doors with 8751 Transom, Sapele



Stave Core Construction

This environmentally friendly method of construction uses laminated, stable, wood core sandwiched between solid veneers and matching edges for a stile and rail construction this is superior at preventing warping or distortion.



Captiva Flush Doors



With no stile or rail, Captiva Flush Series doors are constructed with a stave core, hardwood edges and 1/4" wood veneers. For crossbuck or other details, panels are inlayed to create a stronger bond, and make the door more resistant to water damage.

Wood species.



EVERY CAPTIVA DOOR BEGINS WITH PREMIUM SELECT GRADE LUMBER. WE METICULOUSLY GATHER WOOD FROM AROUND THE GLOBE TO ENSURE THAT EVERY DOOR THAT WE MAKE IS OF THE HIGHEST QUALITY. WE STRIVE TO PURCHASE WOOD PRODUCTS MADE FROM LUMBER HARVESTED IN A SUSTAINABLE MANNER AND CERTIFIED BY A RELIABLE THIRD PARTY SUCH AS FSC OR SFI. THE BOARDS AND VENEERS THAT GO INTO CONSTRUCTING EACH DOOR ARE HAND SELECTED SO THAT GRAIN AND COLOR ARE CONSISTENT.

Interior and exterior use



Sapele

Sapele is similar to Honduras Mahogany with a regular striped pattern and a dark red-brown color and finishes easily and smoothly.



Spanish Cedar

This hardwood varies from light to dark reddish brown. The texture is rather fine and uniform to coarse and uneven. Spanish Cedar is considered naturally decay resistant.



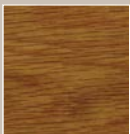
Fir

This is a dimensionally stable wood with a straight grain, uniform in color, pattern and texture. Its light warm hue will become more red with age. Fir stains easily and smoothly.



Eastern White Pine

This softwood is light brown in color, often with a reddish tinge and turns darker on exposure to air. Eastern White Pine features a comparatively uniform texture and is straight grained.



White Oak/Quarter Sawn/Rift Sawn White Oak

White Oak is primarily warm in color with a hint of ash. It's grain pattern varies from straight and tight to arched and dramatic. White Oak stains well for an excellent finish.



Reclaimed Wood

Reclaimed wood is seasoned lumber that has been salvaged from abandoned barns, factories and industrial buildings. Some common types are: pine, elm, cherry, chestnut, walnut, hickory, maple, and quartersawn oak.

Special Species Requests

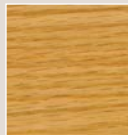
When your project requires a specific species not listed above, let us call on our lumber suppliers from all over the globe to find it.

Interior use only



Poplar

This hardwood is light in color and may feature dramatic dark color variations. Poplar is mostly painted or used with dark stains.



Red Oak

The texture of Red Oak features a very strong grain pattern which ranges from fine, straight, and close to spread and pronounced. Red Oak stains well for an excellent finish.



Maple

Maple is strong and hard with a uniform color, texture, and grain. It sometimes features areas with dark streaks and birds-eye or worm track patterns. If left clear, maple may yellow with age.



Cherry

Cherry is characterized by its warm color, smooth texture and straight, fine, and tight grain. Cherry may contain some sapwood and/or pin knots and will darken over time.



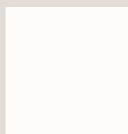
Ash

Ash ranges in color from brown to nearly white and may display a dramatic grain pattern. It is popular in woodworking because it is heavy, strong, hard, and stiff.



Walnut

Walnut is characterized by its beautiful grain lines running throughout and its dark brown color. Walnut veneers may be laminated for width and contain some sap grain and pin knots.



MDF

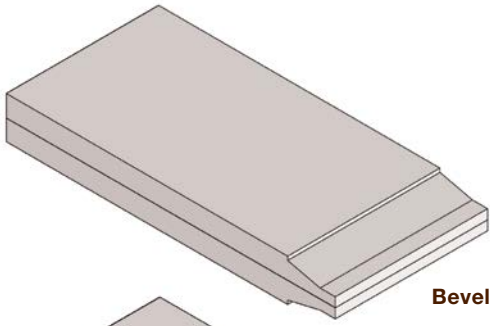
Medium Density Fiberboard is an engineered wood product made from wood fibers and other recyclable materials. MDF is considered an environmentally-friendly material that is priced less than wood.



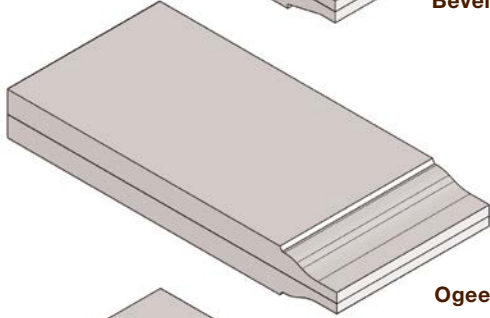
8315 Door with Sidelites and Transom, Sapele

Panel options.

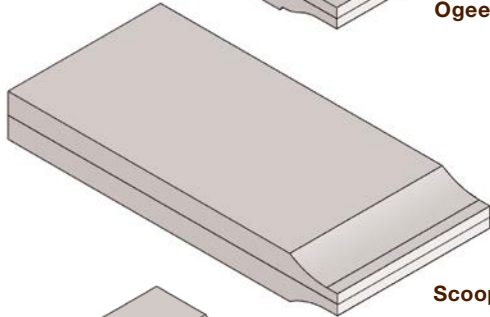
Captiva offers a large selection of panel profile options for all of our wood doors. Each door style is available in the panel options shown. We can also match an existing panel or create a custom design.



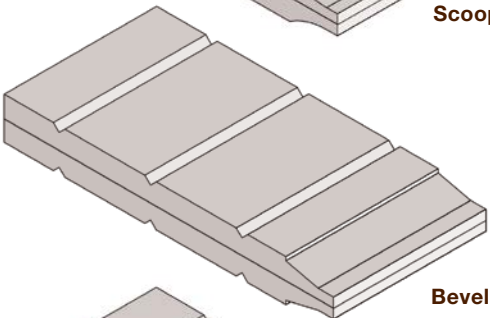
Bevel Panel



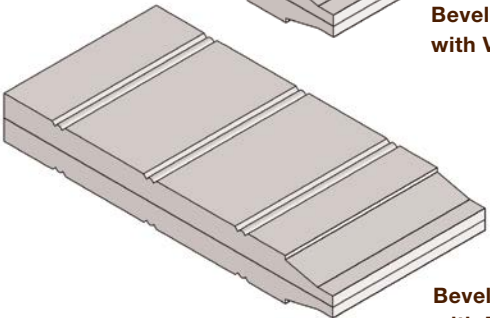
Ogee Panel



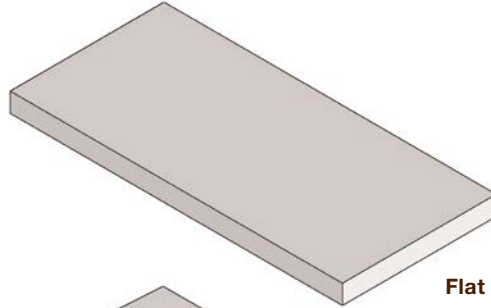
Scoop Panel



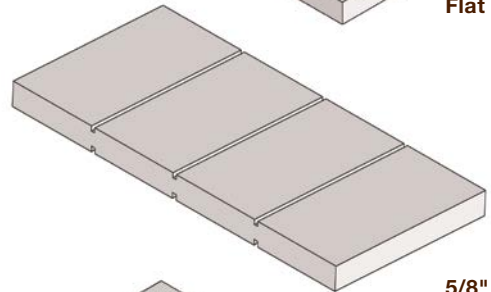
Bevel Panel with V-Groove



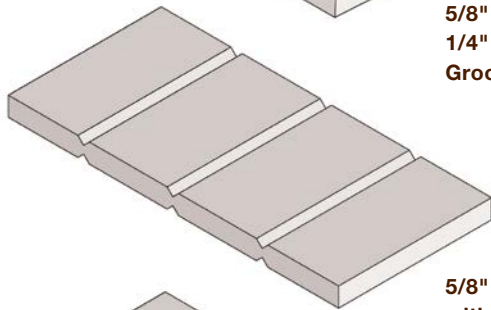
Bevel Panel with Beaded Groove



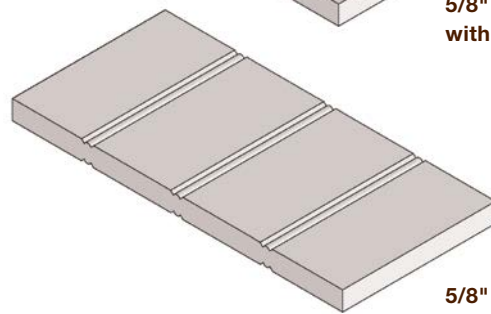
Flat Panel



5/8" Flat Panel with 1/8", 1/4" OR 3/8" Square Groove*



5/8" Flat Panel with V-Groove*

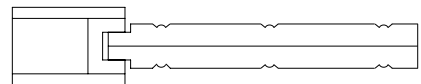
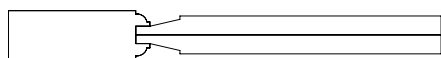


5/8" Flat Panel with Beaded Groove*



Double Panel Design

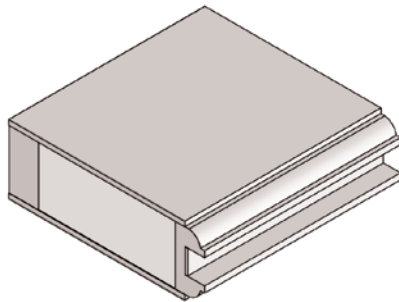
Our double panel technology virtually eliminates cracking panels by allowing independent movement of wood surfaces exposed to different humidity and temperature conditions on each side of the door. The implementation of our double panel design on all our raised panel doors has enhanced their appearance and performance, especially doors used in exterior applications. We are able to offer many doors with different species on each door face. For paint-grade doors, panels will be constructed from exterior-grade MDF (exteriors) or MDF (interior doors) unless otherwise specified.



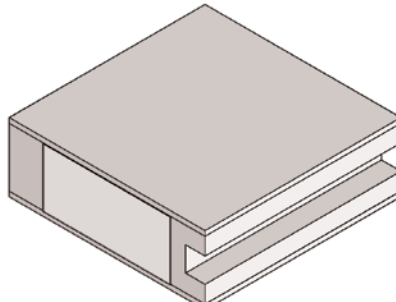
***Back to Back Flat 'V', 'S', 'B' for exterior use**

Sticking options.

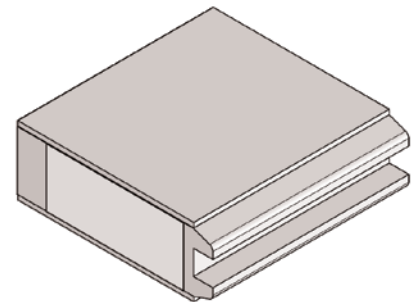
Captiva offers a wide array of sticking profile options for all of our wood doors. Each door style is available in the sticking options shown or if you are looking for something custom, we can build it.



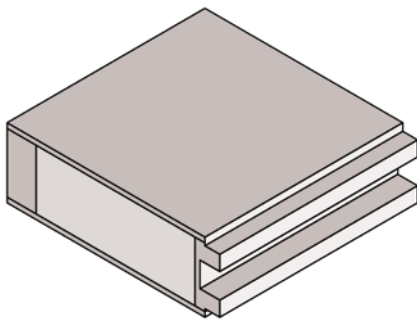
Ovolo Sticking



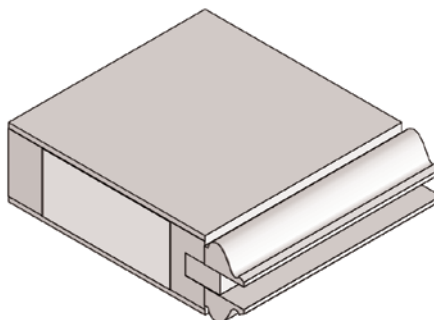
Square Sticking



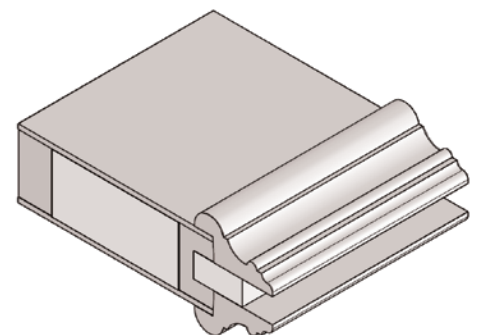
Bevel Sticking



Step Sticking

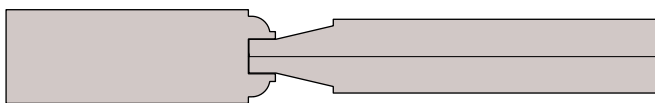


Applied Moulding



Bolection Moulding

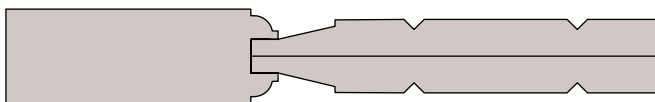
Common panel and sticking combinations:



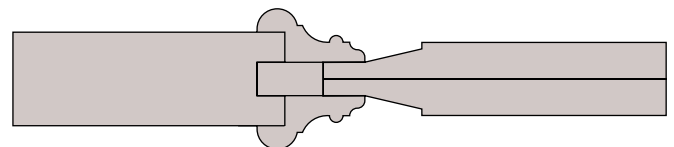
Ovolo Sticking with Bevel Panel



Square Sticking with Flat Panel



Ovolo Sticking with V-Groove Bevel Panel



Bolection Moulding Sticking with Bevel Panel

Custom panel or sticking.

If you do not see a panel or sticking option that meets your requirements, send us a sketch and we will match it.

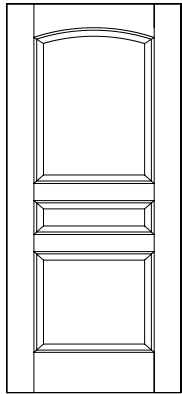
“ Trouble knocked at the door, but,
hearing laughter, hurried away.
- Benjamin Franklin ”

Custom Designed Door and Sidelites,
Custom Glass, Sapele Mahogany

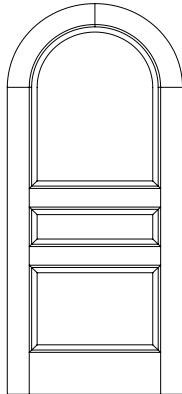
Panel doors.



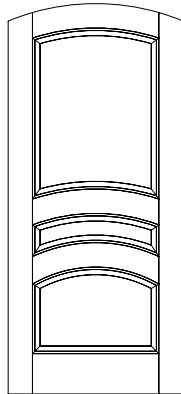
THE CLASSIC PANEL DOOR. WITH OVER ONE HUNDRED PANEL DOOR DESIGNS TO CHOOSE FROM, ARE AVAILABLE IN BOTH OUR SELECT AND TRADITIONAL SERIES AND ARE WELL SUITED FOR BOTH INTERIOR AND EXTERIOR USE. VISIT CAPTIVACUSTOM.COM TO VIEW OUR DOOR DESIGNS. IF YOU DON'T SEE THE DESIGN YOU'RE LOOKING FOR, PROVIDE US WITH A DRAWING, PHOTOGRAPH, OR ROUGH SKETCH AND WE WILL CUSTOM DESIGN THE DOOR OF YOUR DREAMS. WHEN YOU CHOOSE CAPTIVA WOOD DOORS, THE POSSIBILITIES ARE ENDLESS.



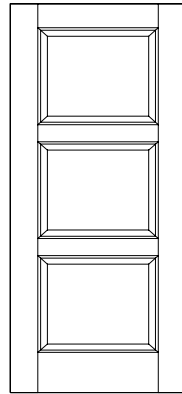
8033



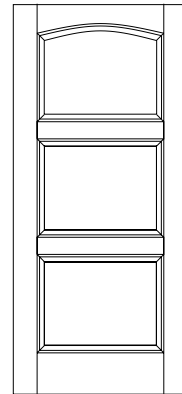
8034R



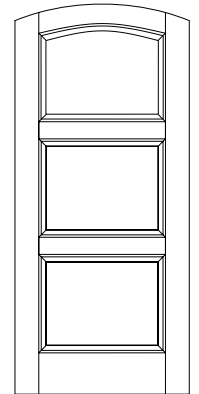
8035A



8020



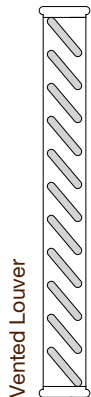
8021



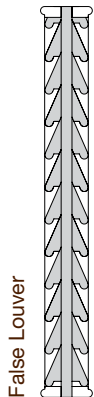
8021A

Louver doors.

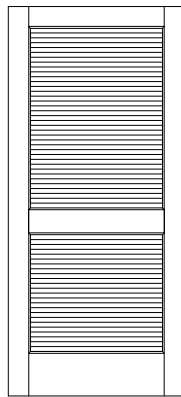
Available with square sticking only.



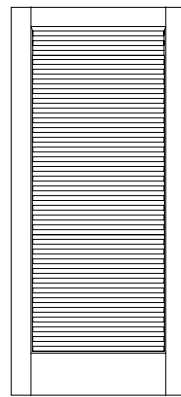
Vented Louver



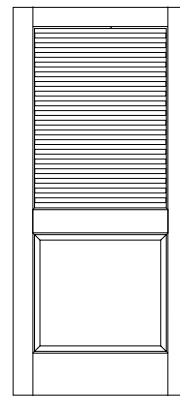
False Louver



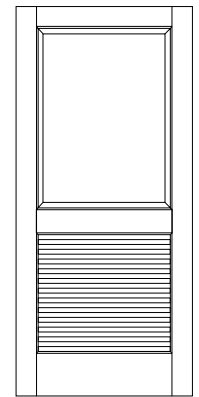
8140



8141



8142



8143



*For more door designs,
scan the code or visit
CaptivaCustom.com*

The closing of a door can bring blessed privacy and comfort – the opening, terror. Conversely, the closing of a door can be a sad and final thing – the opening a wonderfully joyous moment.

- Andy Rooney



8601 Double Door Units with 8751 Transoms, Sapele

Glass doors.

Single Pane Glass

Suggested for interior use only, our monolithic tempered glass is available for all our glass door designs (see opposite page for details and availability).

Insulated Glass

For exterior applications, we use 5/8" tempered insulated glass with optional LoE gas. Choose between True Divided Lite and Simulated Divided Lite (see opposite page for details and availability).

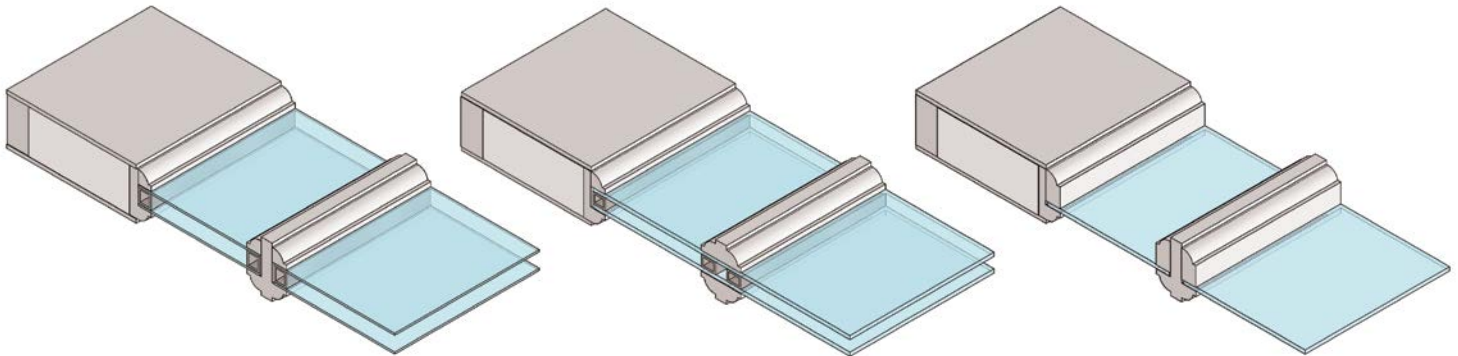
Muntin Bars

With three profiles to choose from — Ovolo, Square, and Bevel — muntin bars typically match the door's sticking (see opposite page for details and availability).

Decorative Glass

When your project requires a special order decorative glass, provide us with a sketch, picture, or idea and we will call on our glass suppliers from around the country to find the particular glass that you desire.

Glass options.

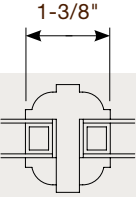
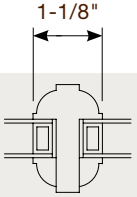
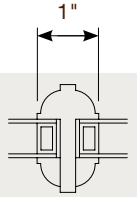
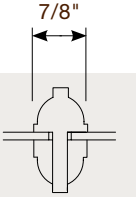
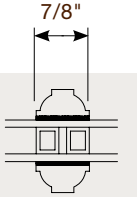
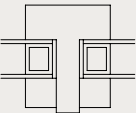
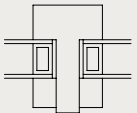
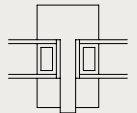
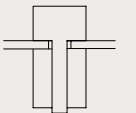
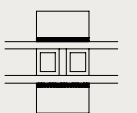
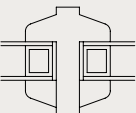
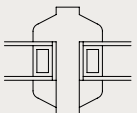
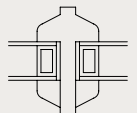
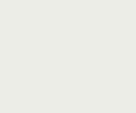
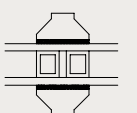


Insulated Glass
True Divided Lite (TDL)

Insulated Glass
Simulated Divided Lite (SDL)
Captiva Select Doors only

Single Pane Glass
True Divided Lite (TDL)

Muntin bar options and availability.

	1-3/8"	1-1/8"	1"	7/8"	7/8"
Ovolo Sticking					
Square Sticking					
Bevel Sticking					
	<i>Above shown with Insulated Glass and True Divided Lite</i>	<i>Above shown with Insulated Glass and True Divided Lite</i>	<i>Above shown with Insulated Glass and True Divided Lite</i>	<i>Above shown with Single Pane Glass and True Divided Lite</i>	<i>Above shown with Insulated Glass and Simulated Divided Lite</i>

Custom muntin bar profiles are also available.

	Door Thickness	1-3/4" Doors				2-1/4" Doors				1-3/8" Doors			
	Muntin Bar Width	1-3/8"	1-1/8"	1"	7/8"	1-3/8"	1-1/8"	1"	7/8"	1-3/8"	1-1/8"	1"	7/8"
Captiva Select Doors													
True Divided Lite with Insulated Glass		OBS	OBS	OBS		OBS	OBS	OBS		S	OS	OS	
Simulated Divided Lite with Insulated Glass					OBS				OS				
True Divided Lite with Single Pane Glass		OBS	OBS	OBS		OBS	OBS	OBS		S	OS	OS	S
Captiva Traditional Doors													
True Divided Lite with Insulated Glass		OBS	OBS	OBS		OBS	OBS	OBS		S	OS	OS	
True Divided Lite with Single Pane Glass		OBS	OBS	OBS	OS	OBS	OBS	OBS	S	S	OS	OS	OS

O = Ovolo Sticking, B = Bevel Sticking, S = Square Sticking

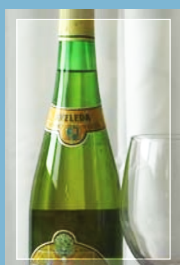
Specialty glass options.



SPECIALTY GLASS CAN PROVIDE PRIVACY, FILTER LIGHT OR SIMPLY MAKE A DRAMATIC STATEMENT. BELOW ARE SOME OF THE MOST POPULAR STYLES OF SPECIALTY GLASS AVAILABLE. FROM TRADITIONAL TO MODERN, OUR GLASS SUPPLIERS HAVE MANY STYLES TO MEET YOUR NEEDS. WE CAN ALSO WORK WITH CUSTOMER-SUPPLIED SPECIALTY GLASS.



Acid Etched



Bevel (no curves)



Bark



Chinchilla



Ribbed



Stipplite



Confetti



Eng Flemish



Glue Chip



Double Chip



Mirage



Cobblestone



Linen



White Lami



FSA



Drift



Soft Cord



Aqui



Modified 8372 Door, Modified 8708 Sidelites and Modified 8756 Transom, Sapele Mahogany



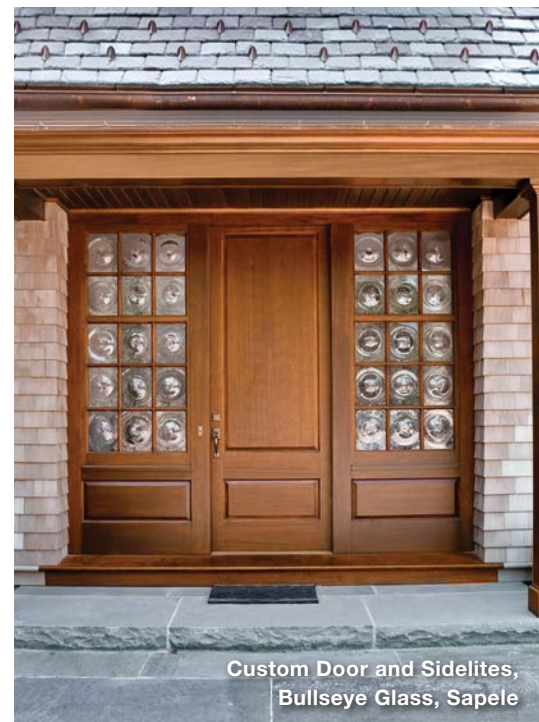
Custom-Designed Door, Sidelites and Transom, Sapele Mahogany



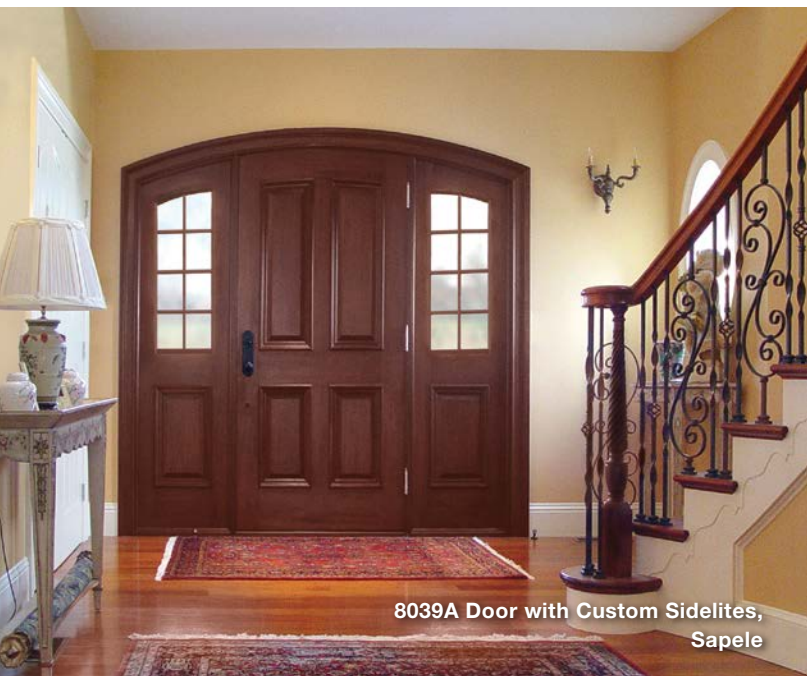
8372 Door with Custom Sidelites, Sapele



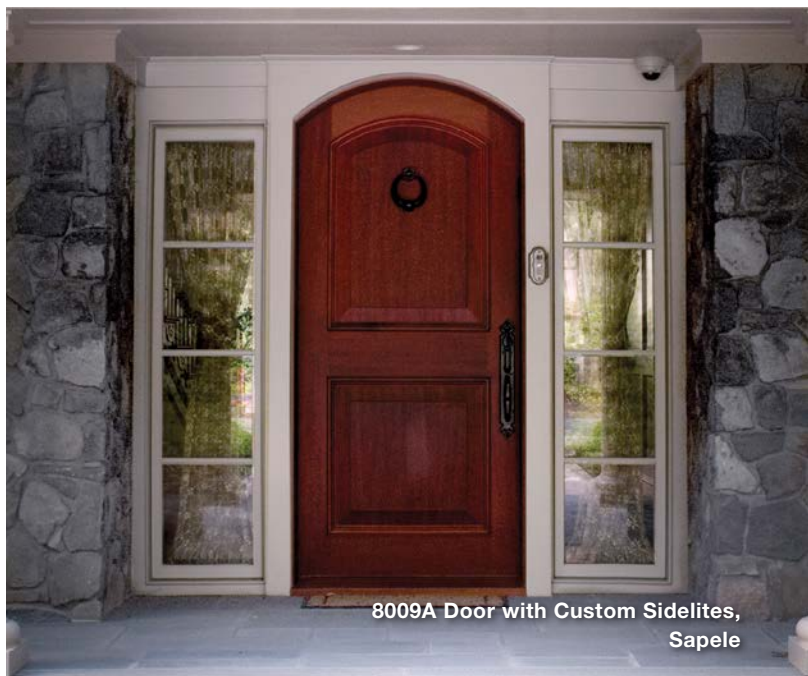
8315 Door with Sidelites and Transom, Sapele



Custom Door and Sidelites, Bullseye Glass, Sapele



8039A Door with Custom Sidelites, Sapele



8009A Door with Custom Sidelites, Sapele



Captiva modern collection.

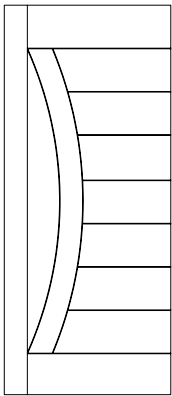
THE CAPTIVA MODERN COLLECTION OFFERS CLEAN LINES AND CONTEMPORARY PATTERNS WITHOUT SACRIFICING THE BEAUTY AND WARMTH OF A WOOD DOOR. DEPENDING ON THE DESIGN, THESE DOORS ARE EITHER STILE AND RAIL CONSTRUCTION OR FLUSH CONSTRUCTION.



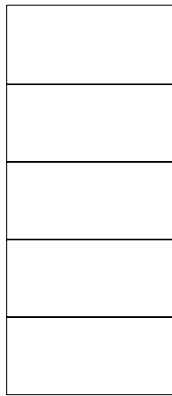
CAPTIVA

Modern door designs.

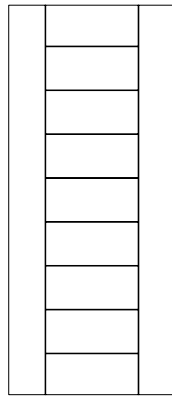
Stile and rail construction unless otherwise noted as Flush (F). See page 23 for our groove options.



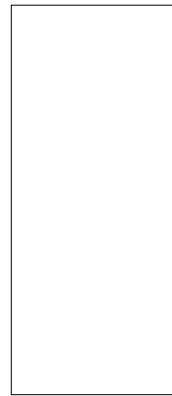
8093 F



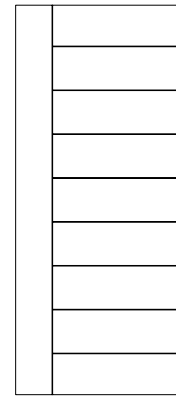
8094 F



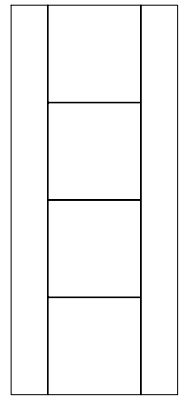
8095 F



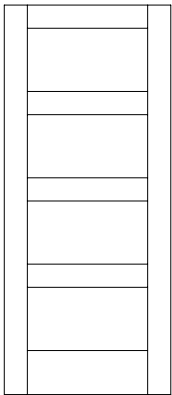
8096 F



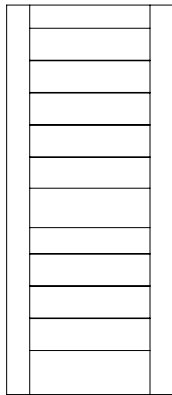
8097 F



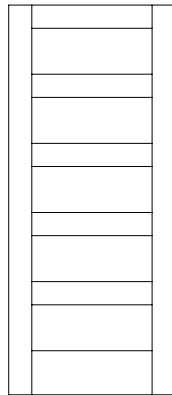
8098 F



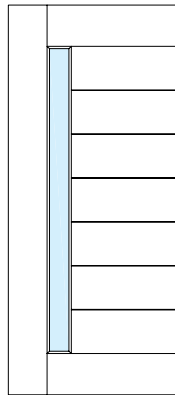
8122



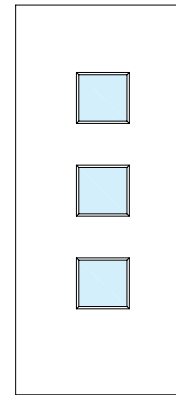
8126



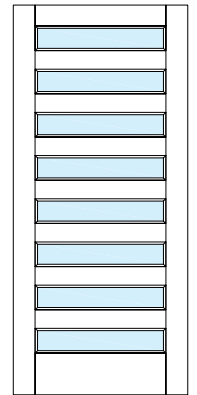
8127



8402 F



8426 F



8418

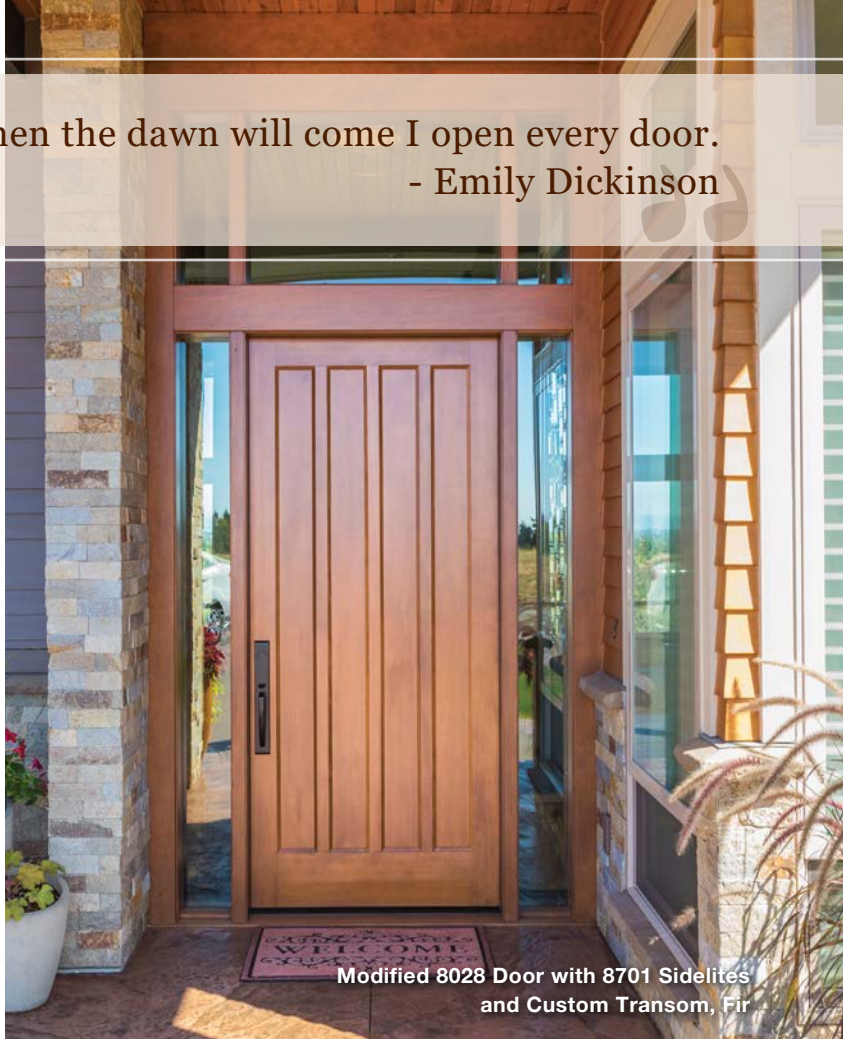


*For more door designs,
scan the code or visit
CaptivaCustom.com*

Not knowing when the dawn will come I open every door.
- Emily Dickinson



Modified 8417 Double Door Unit, Sapele



Modified 8028 Door with 8701 Sidelites and Custom Transom, Fir



Modified 8408 Door, Walnut



Custom Designed Flush Door, Red Oak

Groove options.



Custom Arched Pair, Beaded, Painted



Grooved and Beaded

Add craftsman style to your door with our Square Groove, V-Groove or Beaded Groove option. The panels of any door that we offer can be carved with this decorative option, as can many of our flush doors.



For more door designs,
scan the code or visit
CaptivaCustom.com

Double door arched pairs.



Custom Designed Double Door Unit

A perfectly matched pair

When creating a double door entrance unit, give it a distinctive look with a Double Door Arched Pair. Instead of simply putting two identical doors side-by-side, Double Door Arched Pairs complement each other beautifully and add architectural interest to your home.



CAPTIVA

Dutch doors.

CAPTIVA DUTCH DOORS ARE BOTH FUNCTIONAL AND BEAUTIFUL. THEY CAN KEEP CHILDREN AND PETS SAFELY ENCLOSED WHILE LIGHT AND AIR CIRCULATE, AND ADD COLONIAL NEW ENGLAND CHARACTER TO YOUR HOME. WE HAVE ACCESS TO A RANGE OF TRADITIONAL, RUSTIC AND CONTEMPORARY HARDWARE TO COMPLEMENT YOUR STYLE.



Custom Designed Dutch Door with 8704 Sidelites and 8754 Transom, Sapele



8069 Dutch Door with Custom Sidelites and Transom, Prefinished White Pine



Quadrant



Door Bolt

Hardware

Quadrants or door bolts can be used to fasten both the lower and upper leaves of any Dutch door. They are available in a variety of finishes: including black, brass, antique brass, oil rubbed bronze, polished or brushed chrome, satin nickel, and more, to match your handleset and hinges.



For more door designs, scan the code or visit CaptivaCustom.com



8107 Door, White Oak with Flat Track Leatherneck Hardware

Barn doors.

Sliding Doors and Hardware

The only rule for Barn Doors is there are no rules; cover the hardware with trim or show it off, mix a reclaimed wood door with modern stainless steel hardware—there are so many design combinations to fit your style and décor.

Please note the following page shows traditional barn door styles; nearly every Captiva door panel in this catalog can be modified for a sliding application.

Barn door hardware.



FLAT TRACK HARDWARE

FLAT TRACK BY LEATHERNECK

Flat Track Hardware styling dates back to the turn of the century when it was used in warehouses and in industrial settings. Today the highly stylized look is perfect for unique interior and exterior applications. Flat Track Hardware can be customized for specific applications and can save space while enhancing any door opening.

HAFELE

HAFELE HARDWARE

Modern stainless steel barn door hardware available for wood barn doors or glass barn doors.



ACME HARDWARE

Acme offers 3 strap hardware styles for barn doors in Stainless Steel, Matte Black and Bronze finishes.



PEMKO HARDWARE

Pemko offers a vast array of sliding door hardware options for many commercial applications.

Sidelites and transoms.



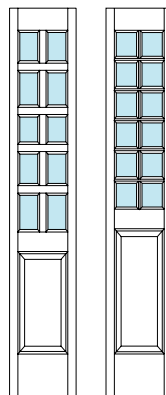
THE ADDITION OF SIDELITES AND TRANSOMS GREATLY ENHANCES THE BEAUTY OF THE ENTRANCE ALLOWING NATURAL LIGHT INTO THE HOME AND A GREATER VIEW TO THE OUTSIDE. ON INTERIOR APPLICATIONS, TRANSOMS ARE OFTEN USED WITH FRENCH DOORS BETWEEN THE LIVING AND DINING ROOM, PROVIDING A SOPHISTICATED LOOK.



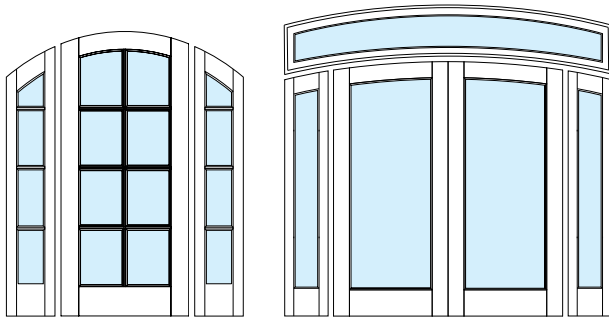
Modified 8043 Door with Custom Sidelites and Transom, Sapele



8015 Door with 8702 Sidelites and Transom, Sapele



If you are looking for divided lites in a greater thickness than our standard TDL or SDL muntin bars, they may be incorporated into door construction as an intermediate or lock rails.



Arch Top Sidelites and Transoms

For a truly unique look, Round or Arched top shapes can often bring new life to an entryway.



Modified 8636 Arched Pair with
Modified 8647 Sidelites, Sapele



8307 Door with
8756 Transom, Sapele



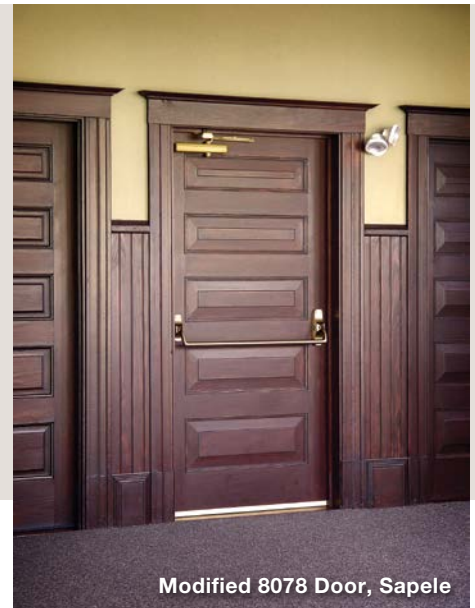
*For more door designs,
scan the code or visit
CaptivaCustom.com*

Wood fire-rated doors and frames.

WHETHER RESIDENTIAL OR COMMERCIAL APPLICATIONS, CAPTIVA FIRE-RATED DOORS ALLOW YOU TO SEAMLESSLY MATCH THE CAPTIVA NON-RATED DOORS THROUGHOUT YOUR PROJECT. MANY OF OUR DOOR DESIGNS, INCLUDING STILE AND RAIL AND FLUSH DOORS, ARE AVAILABLE FIRE-RATED.

Fire-Rated Wood Door Frames

Our fire-rated wood door frames allow builders and architects to comply with the strictest building code requirements without sacrificing the design integrity of the project. A fire-resistant core is wrapped with wood veneers to perfectly match the non-rated door frames throughout the project. Our fire-rated door frames are available in the wood species of your choice in stain grade, paint grade and prefinished. Our frames come standard with a patented adjustable clip system for fast and simple installation.



Modified 8078 Door, Sapele

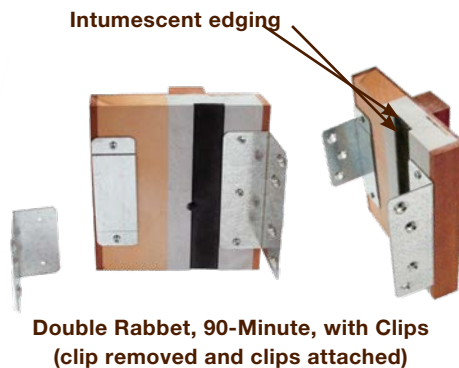
TECHNICAL SPECS

Ratings <hr/> 20, 45, 60, and 90 minute positive pressure door and jamb ratings available	Wood Jamb <hr/> Available for all ratings	Metal Jamb <hr/> Available for all ratings
Wood Species <hr/> Available in stain grade, paint grade, and prefinished	Thickness <hr/> 1-3/4" and 2-1/4" door thicknesses available	Panels/Profiles <hr/> Available with flat or raised panels, and all sticking and panel profile designs
Design Options <hr/> All designs incorporating panels and many designs incorporating glass (some restrictions on glass size)	Custom Designs <hr/> Endless styles to meet your needs and perfect for unique designs or historical reproduction	Certification <hr/> Warnock Hersey Label, certified through Intertek Testing Service
Applicable Standards: ASTM E-152-81a, UL10(c)(1998), UBC 7-2(1997), UL10(b)(1997) NFPA 252(1999), ASTM E-2074(2000), CAN/ULC S104 1980 (R1985)		



Fire-rated wood jambs.

Captiva's fire-rated frames are available in 20-45-60-90 minute ratings. This innovative frame system helps ease the installation process through the use of adjustable metal clips, which provide additional strength while avoiding any exposed fasteners. This frame system also allows for easy removal and re-installation without damaging the finished frame. Intumescent edging is built into the jamb. During a fire, this edging expands to seal the room.



Single Rabbet, 45/60-Minute



Double Rabbet, 45/60-Minute



Single Rabbet, 90-Minute



Double Rabbet, 90-Minute

FIRE-RATED DOOR CORE

20-Minute Fire-Rated Door Cross Section

The fire core is installed between the panels, offering real stile and rail door construction. Intumescent edging goes around the fire core. During a fire, this edging expands to seal the room.

Intumescent edging



45-60-90-Minute Fire-Rated Door Cross Section

The door faces surrounding the core are built using actual panel, stile, and rail components to match the profiles of 20 minute and non-rated doors. Intumescent edging goes around the fire core. During a fire, this edging expands to seal the room.

Intumescent edging



Captiva Fire-Rated Wood Doors				
Rating	Maximum Door Size	Min Door Thickness	Listing Category	Max Glass Area (sq in)*
20-Minute	4/0 x 8/0 Single	1-3/4"	Category A, Category B Neutral Pressure	1,296
	7/0 x 8/0 Pair			
45-Minute	4/0 x 8/0 Single	1-3/4"	Category A, Category B	1,248
	7/0 x 8/0 Pair			
60-Minute	4/0 x 8/0 Single	1-3/4"	Category A, Category B	1235
	7/0 x 8/0 Pair			
90-Minute	4/0 x 8/0 Single	1-3/4"	Category A, Category B	600
	7/0 x 8/0 Pair			

Fire-Rated Wood Jambs	
Rating	Maximum Jamb Size
20-Minute	4/0 x 8/0 Single
	8/0 x 8/0 Pair
45-Minute	4/0 x 8/0 Single
	8/0 x 8/0 Pair
60-Minute	4/0 x 8/0 Single
	8/0 x 8/0 Pair
90-Minute	4/0 x 8/0 Single
	8/0 x 8/0 Pair

*Glass must not be within 5" of edge or opening (bore) or be in a panel
 †For 60 and 90 minute, glass must be in a metal frame.

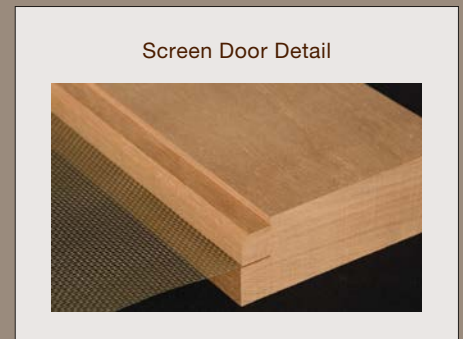
Metal jambs are also available for all single door applications and double door applications

Screen, storm and combination doors.

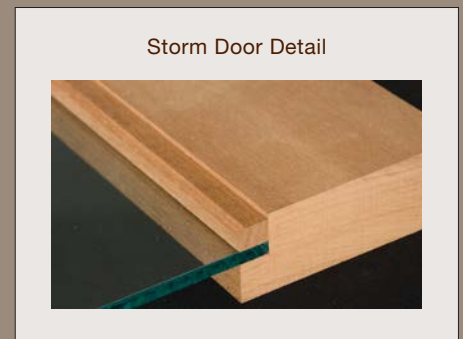
UNLIKE MODERN ALUMINUM OR VINYL STORM DOORS THAT DETRACT FROM THE STYLE OF THE HOUSE, CAPTIVA SCREEN, STORM, AND COMBINATION DOORS ARE DISTINCTIVE, YET SUBTLE, COMPLEMENTING THE EXISTING DOOR OR ARCHITECTURE. THESE DOORS ARE A GREAT WAY OF OPENING YOUR HOME UP TO THE OUTDOORS. NOT ONLY DO THEY ADD DECORATIVE FLAIR TO YOUR ENTRY WAY, BUT THEY ALSO PROTECT THE ENTRY DOOR AND KEEP BUGS OUT IN THE SUMMER WHILE ALLOWING FRESH AIR IN.



8802 Combination Door with 8701 Sidelites and 8758 Transom, Primed



Screen Door Detail



Storm Door Detail



Captiva Select Combination Door

Door Thickness Options:

Screen and Storm Doors: 1-3/4", 1-3/8", 1-1/8"

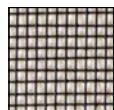
Combination Doors: 1-3/4", 1-3/8"

Prehanging: Available for Screen, Storm, and Combination doors.

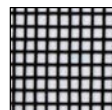
Screen Choices:



Bronze



Aluminum
Charcoal



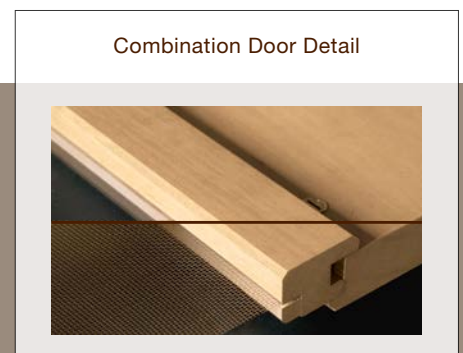
Fiberglass
Charcoal

Combination Door Hardware:

Low profile combination door hardware makes it easy for you to switch between screen and glass inserts.

Veneers: 1/8"

Warranty: 1 Year *no warranty on 1-1/8" doors



Combination Door Detail

Captiva Select



Captiva Traditional

Storm and screen door hardware.

COMPLETE YOUR COMBINATION DOOR WITH THE APPROPRIATE HEAVY DUTY HARDWARE. OUR SUPPLIERS OFFER A VARIETY OF FINISHES TO COMPLEMENT YOUR STYLE. POPULAR FINISHES ARE BLACK, OIL RUBBED BRONZE, SATIN NICKEL AND CHROME.



Deltana Storm / Screen Handleset
(Exterior Knob / Interior Lever),
Arched Plate, Satin Nickel



Deltana Storm / Screen Handleset
(Exterior Knob / Interior Lever),
Square Plate, Black



Heavy Duty Storm / Screen Door Closer
(Available in Single or Double Cylinder)

Hardware	Available Finishes
Deltana Handlesets	Polished Brass, Antique Brass, Oil Rubbed Bronze, Brushed Nickel, Antique Nickel, Paint Black, Polished Chrome, Brush Chrome PVD Brass
Closers	White, Almond, Sandstone, Black, Bronze
Wind Chains	Black, White, Stainless Steel

Retractable screens.

CUSTOM DESIGN DOOR SCREENS OFFER THE BEST OF BOTH WORLDS - UNINTERRUPTED VIEWS AND NATURAL VENTILATION COMBINED WITH PROTECTION FROM INSECTS AND HARSH GLARE OF THE SUN. THE RETRACTABLE SCREEN REMAINS OUT OF SIGHT UNTIL YOU NEED IT, SO YOU CAN SHOW OFF YOUR BEAUTIFUL CAPTIVA DOOR ALL YEAR LONG.



Screen housing
concealed in door frame

With our custom millwork capabilities we can preinstall a retractable screen on your Captiva door unit prior to shipping. You can choose a basic surface application or for the ultimate smooth look, a Phantom screen can be concealed in the doorframe. It doesn't matter if your Captiva door is an inswing or outswing, single, French, sidelite or Dutch door unit, there is a screen solution for each.

Concealed screen option adds to the unit width and requires special components. Please ask our Captiva specialist for more information on this option.

Captiva Wood Doors uses Phantom® Retractable Screens.



Screen housing
applied to surface



Custom designs.



BECAUSE EVERY DOOR THAT WE MANUFACTURE IS MADE SPECIFICALLY FOR YOU, HERE'S YOUR CHANCE TO BE CREATIVE... CHOOSE SAPELE STILES AND RAILS WITH MAPLE PANELS... OR TURN ONE OF OUR STANDARD PANEL DOORS INTO A GLASS DOOR BY SWAPPING THE WOOD PANELS WITH GLASS. THE SKY'S THE LIMIT SO ALLOW YOUR CREATIVE JUICES TO FLOW!



8020 Door, Cherry Stiles and Rails, Maple Panels

Mix 'n Match Species

Pick a standard door and create a custom look. There's no reason why the species of wood used for the stiles and rails of a door need to match the panels. In the example above, the builder chose our 8020 panel door with cherry stiles and rails and maple panels.



Modified 8069 Door (Glass Inserts) with 8760 Transom

Swap Panels and Glass

While browsing our door designs, keep in mind that any panel can be replaced with glass. In the example above, the homeowner chose a pair of 8069 panel doors and replaced the top four panels on each door with insulated glass.



Design your own door.



Custom Designed Doors

In addition to the door designs shown throughout this catalog, with Captiva the possibilities are endless. Simply provide us with a drawing, photograph, or sketch and we will custom design and build the door of your dreams. This is a perfect solution for historical replication or signature projects.



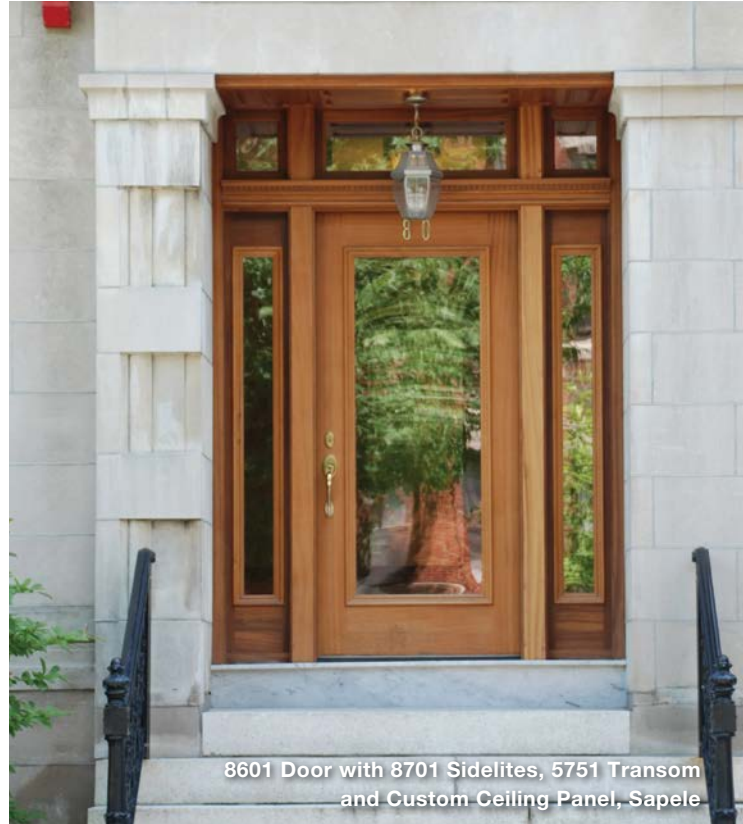
CAPTIVA

Commercial capabilities.

CAPTIVA WOOD DOORS ARE NOT ONLY INSTALLED IN HOMES, BUT ALSO IN COMMERCIAL BUILDINGS THROUGHOUT NEW ENGLAND: RESTAURANTS, HOTELS, SCHOOLS, OFFICE BUILDINGS, HOSPITALS, BANKS, GOVERNMENT BUILDINGS AND COUNTRY CLUBS. CAPTIVA WOOD DOORS ARE BUILT FOR QUALITY AND ENDURANCE TO ENSURE THEY WILL TOLERATE DAILY WEAR AND TEAR OF PUBLIC USE. WE HAVE THE EXPERTISE AND EXPERIENCE IN WORKING WITH ALL PARTIES INVOLVED IN THE CONSTRUCTION PROCESS AND CAN SUPPLY THE PROPER HARDWARE TO USE FOR COMMERCIAL APPLICATIONS.



Modified 8601 Double Door Unit, Sapele



8601 Door with 8701 Sidelites, 5751 Transom and Custom-Ceiling Panel, Sapele



Custom Double Door Unit with Custom Transom, Sapele



8321 Door, Sapele



8627 Double Door Unit, Sapele

Jambs, casing and sills.



JAMB

We offer single rabbet and double rabbet jambs in 4-5/8", 6-5/8" or any custom width. Available in matching species, clear or primed pine. See page 50 for our Fire Rated Jambs.



Single Rabbet Jamb (Interior)
4-5/8"



Double Rabbet Jamb (Interior)
4-5/8"



Single Rabbet Jamb (Interior)
6-5/8"



Single Rabbet Jamb with Weatherstrip 6-5/8" (Exterior)



Primed FrameSaver® Jamb with Weatherstrip, up to 9-1/8" (Exterior)



Primed 20-minute Fire Door Jamb 4-5/8" to 9-1/4" (Exterior)

CASING

Available in clear or primed pine, or matching species. All patterns and thicknesses are available for exterior or interior use. Below are just three of the most common profiles, ask your sales rep to see our full library of hundreds of casing options. Custom casing is available in any design, species or size.



Brickmould Casing
1-1/8" x 1-7/8"

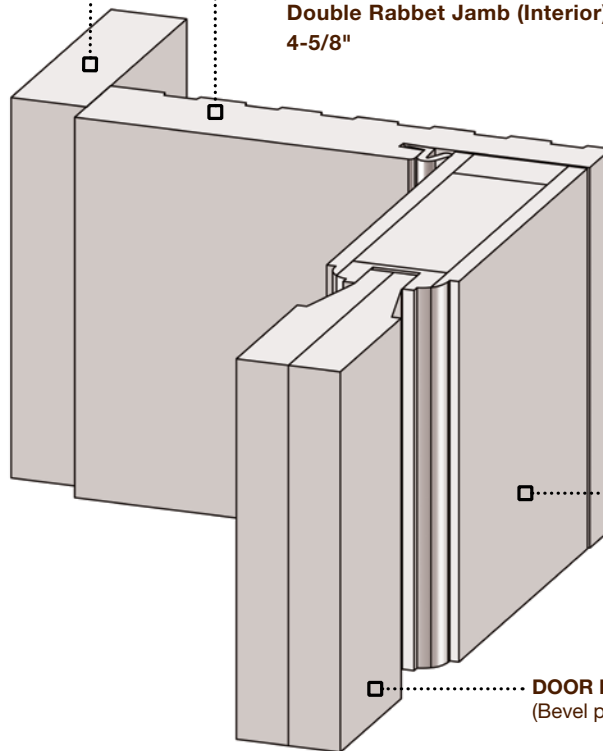


Flat Casing
1" x 3-1/2"



Custom Casing (N1932)
1-5/8" x 3-1/2"

Custom casings are available in any design, species or size.



DOOR STILE

(Ovolo sticking shown, see page 15)

DOOR PANEL

(Bevel profile shown, see page 14)

MAHOGANY SILLS



Inswing Sill (Oak or Sapele Mahogany)
1-11/16" x 9-1/4"



Outswing Nantucket Sill (Sapele Mahogany)
1-5/8" x 7-1/4"



Inswing Nantucket Sill (Sapele Mahogany)
2-1/8" x 9"



Outswing Nantucket Sill (Sapele Mahogany)
1-5/8" x 9-1/4"

COMPOSITE SILLS: ENDURA Z SERIES

Z-AC Articulating Cap Sill

The Z-AC automatically self-compensates to create the perfect door seal under any conditions. The Z-AC helps overcome most problems associated with either inconsistency of the rough opening or margins between the sill and the door. Can only be used with 1-3/4" door thickness and non-standard specialized sweep.



Cap rises to engage door bottom



Bronze

Bumper Outswing Sill

The ultimate protection in high exposure areas and severe weather conditions. The seal increases with pressure against the door, creating a tough seal against air and water infiltration. Available in Mill or Bronze finish.



Mill

Z Classic Sill

The Z-Lineal Sill features the classic version of a full continuous extruded substrate for ultimate flexibility and custom fabrication. Can only be used with 1-3/4" door thickness. Length up to 3'0" (single door) or 6'0" (double door). Available in Mill or Bronze finish.



8301 Door with 8703 Sidelites, Sapele

SWEEP OPTIONS



Z-AC SWEEP

For 1-3/4" doors with Z-AC Sill



STANDARD: FIVE FIN SWEEP

For 1-3/4" and 2-1/4" doors



411 AUTOMATIC SWEEP

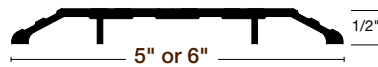
For 1-3/4" and 2-1/4" doors (for single doors only)

PEMKO ADA SILL THERMAL BREAK

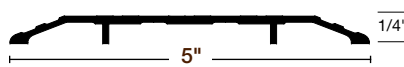
ADA Compliant Sills incorporate a dam that meets ADA height requirements and creates a better seal between the door and sill. A thermal sill will prevent heat or cold temperatures from transferring from the outside of the house to the inside of the house.



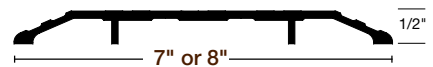
ALUMINUM ADA SILLS



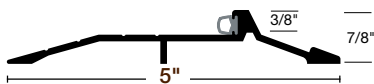
AT600 & 601 (HANDICAP)



AT500 (HANDICAP)



AT701 & 801 (HANDICAP)



AT599 (OUTSWING)

Hardware.



ACCESS CONTROL AT ALL ENTRANCES AND EXITS TO A HOME OR BUILDING IS AN IMPORTANT PART OF THE DOOR SYSTEM. IN RESIDENTIAL SETTINGS, A HOMEOWNER'S NUMBER ONE CONCERN IS SECURITY, BUT THEY ARE ALSO LOOKING FOR HARDWARE THAT IS DECORATIVE, COMPLEMENTING THE DOOR AND STYLE OF THEIR DÉCOR. YEARS AGO THERE WAS NOT NEARLY THE SELECTION OF HARDWARE THAT THERE IS AVAILABLE TODAY.



Residential Handle Set, Bronze



Folding Door Hardware, Brass

Exterior Handle Sets

A handle set provides security while the styles and finishes complement the door. We offer a wide array of residential hardware available from Rocky Mountain, Baldwin, Emtek, Ashley Norton, Schlage and many other high quality suppliers.

Interior Hardware

Interior door hardware enhances your interior doors with hundreds of design and finish combinations to choose from. We offer interior door hardware from Rocky Mountain, Baldwin, Emtek, Ashley Norton, Schlage and many other high quality suppliers.

Hinges

We offer a wide selection of hinges including 3-1/2", 4-1/2" and 5" in plain bearing and ball bearing, in a whole array of finishes to ensure that your door both functions perfectly and is aesthetically coordinated.



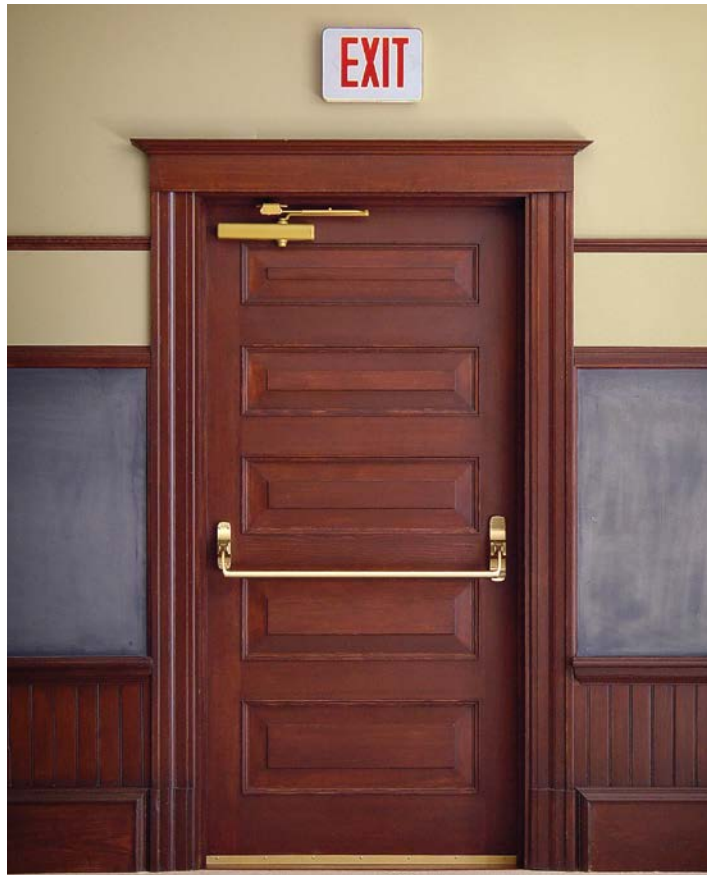
I've got the key to my castle in the air,
but whether I can unlock the door remains to be seen.



– Louisa May Alcott, *Little Women*



**Multi-Point Hardware
with Handle Set, Bronze**



**Commercial Hardware (Exit Device and Door Closer),
Bright Brass**



**Large Selection
of Hinges**

Multi-Point Hardware

Multi-Point hardware systems provide more than just security, they offer homeowners better door closure and sealing than single point locks. The locking mechanism features a durable and ergonomic design, allowing for easy door operation.

Commercial Hardware

We have an extensive inventory of Residential and Commercial hardware in stock available for your use with our Captiva doors. For commercial applications we can pre-machine our doors for your hardware or we can supply new hardware from one of our many lines available - Cylindrical or Mortise locks from manufacturers such as Schlage, Sargent, Corbin, Omnia, Ashley Norton or Baldwin; Exit devices from Von Duprin, Sargent, Precision and many others. Access control and electronic hardware are also available when required.

Prefinishing.

SAVE TIME AND JOB SITE LABOR COSTS BY HAVING US PREFINISH YOUR CAPTIVA DOORS. WE OFFER STATE-OF-THE-ART FORTRESS COATING SYSTEMS™ PREFINISHING ON ALL OUR DOORS. CHOOSE A SUPERIOR PRIMED OR CLEAR COAT FINISH, STAIN, OR ONE OF OUR STOCK PAINT COLORS. WE OFFER 10 STOCK STAIN COLORS AND 19 STOCK PAINT COLORS, OR YOU CAN CHOOSE ANY COLOR THROUGH COLOR MATCHING.

Option 1: Clear Coat



4 mil Clear Coat

Our durable 4 mil Ilva clear coat offers UV protection and saves time on the job site with a three step finish process (impregnator and two top coats) with multiple sand and preparation steps.

Option 2: Primed



4 mil Double Prime

For doors that are intended to be painted, let us save you a step. We double prime doors with a high quality primer.

Option 3: Stain

Ilva water-based wood coatings are specially formulated for coating and protecting exterior wood doors. ILVA, based in Italy, is the foremost name in the world when it comes to the research, development and manufacture of high-quality wood coatings. Stain will not crack, flake, chalk, blister or lift from wood substrates and will protect wood from mold, UV rays, water and pollutants. Fortress Coating Systems™ offers 4 stock colors of Ilva Klima® stain.

		STOCK STAIN COLORS				
		Clear	Fir	Teak	Dark Walnut	Mahogany
WOOD SPECIES	Utile Mahogany					
	White Oak					
	Fir					

Due to variations that may occur in the printing process of this catalog, as well as how stain colors vary on different wood species, these swatches are an approximate color match. Please see your sales representative for actual stain samples on the species of wood you select.



Maintain your finish with Klima's Aquatech Retoning Liquid (TN030), available upon request.

ADDITIONAL STOCK STAIN COLORS							
		White Sand	Black Storm	Autumn Burgundy	Storm Cloud	Coastal Blue	Forest Green
WOOD SPECIES	Utile Mahogany						
	White Oak						

Option 4: Paint

Fortress Coatings Systems™ offers 19 stock colors of paint or you can provide any Sherwin Williams or Benjamin Moore name and number. Custom matching is also available with physical paint sample and extended lead time.

STOCK PAINT COLORS		
		
SW 2838 Polished Mahogany	SW 2848 Roycroft Pewter	SW 6243 Distance
		
SW 6244 Naval	SW 6258 Tricorn Black	SW 6454 Shamrock
		
SW 6502 Loch Blue	SW 6711 Parakeet	SW 6799 Soar
		
SW 6868 Real Red	SW 6883 Raucous Orange	SW 6902 Decisive Yellow
		
SW 7005 Pure White	SW 7048 Urbane Bronze	SW 7510 Chateau Brown
		
SW 7526 Maison Blanche	SW 7593 Rustic Red	SW 7669 Summit Gray
		
FC 511 True Black		



CAPTIVA For architects and designers.

ARCHITECTURAL SPEC:

Door construction, unless specified differently shall include a stave core method that uses a laminated stable wood core sandwiched between veneers. Captiva Traditional Doors use 1/4" solid veneers on all stiles and rails with matching edges to help prevent warp or distortion. Captiva Select Doors use laminated stable wood cores sandwiched between 1/8" veneers. A unique "beaded tenon" inserted by hand is used instead of dowels creating a similar mortise and tenon connection on all stiles and rails. All raised panels used in both methods shall be manufactured using double panel technology, which virtually eliminates cracking panels by allowing independent movement. Both types of construction are time tested methods and backed by our full warranties.

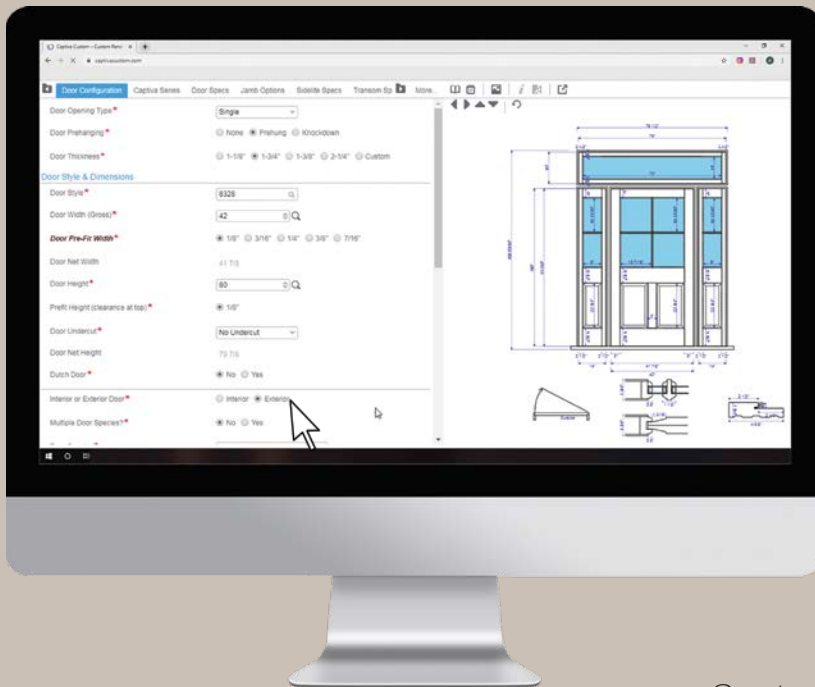
Multi-lite doors, as true divided lite (TDL), available in Captiva Traditional or Select, with 1/8" single pane, 5/8" IG glass, or 5/8" Low E glass and wood stops applied to the exterior. Muntin bar widths are 1", 1-1/8", and 1-3/8". Simulated divided light (SDL) with 7/8" SDL bar, and 11/16" duplex muntins. Wood bars applied to both faces of door with the loose stop toward the exterior. SDL is available in Captiva Select doors only.

AIA/CES COURSE: CWD2019 Stile & Rail Door Construction

This course shows the different styles of wood doors, discusses how stile and rail doors are constructed, introduces the various components and the best wood species to select. The course also highlights other components added to the door that are necessary to make the "door system" functional.

North Atlantic Corp Provider # 40107222

Learning Units: 1 | LU



- Design and quote custom stile and rail doors, jambs, and mouldings
- Specify dimensions for each aspect of the door to customize your style
- Watch the elevation and price adjust as you build your door
- Add jambs, sills, sidelites, and transoms to visualize your complete opening
- Choose a moulding from our library of over 5,000 profiles
- Print detailed reports of your quotes and elevations

Contact us for how to get started
CaptivaCustom.com



CAPTIVA

	Captiva Select Doors	Captiva Traditional Doors
STILES		
Construction		
Stave core with 1/8" veneer	●	○
Stave core with 1/4" veneer	○	●
Solid cap on top stiles		●
Size		
Special Widths Available	○	○
RAILS		
Construction		
Stave core with 1/8" veneer	○	○
Stave core with 1/4" veneer	○	●
Solid	●	○
Size		
Special Widths Available	○	○
PANELS		
Raised Panels		
One Solid Panel		○
Two Floating Panels	●	●
Flat Panels		
One Solid Panel	●	●
Book Match Panels (required to meet AWI premium grade with transparent finishes)	○	○
DOOR SIZES		
Maximum Width		
3'6"	●	●
Unlimited	○	○
Maximum Height		
8'0"	●	●
Unlimited <i>*Note: doors over 3/6 x 8/0 do not meet warranty</i>	○	○
SANDING		
Assembled door is sanded with a patented CPSII wide belt sander to remove cross grain.	●	●
JOINERY		
Beaded Mortise & Tenon Joints	●	
Traditional Mortise & Tenon Joints		●
DOOR DESIGNS		
Specified Door Designs	●	●
Unlimited Door Designs	○	○
DOOR SHAPES		
Specified Door Shapes	●	●
Unlimited Door Shapes	○	○
PREFINISHING		
4 mil Double Prime	○	○
4 mil Clear Coat	○	○
Fortress Coating Systems™ Stain	○	○
Fortress Coating Systems™ Paint	○	○

FOR WARRANTY AND USE & CARE GUIDE, VISIT CAPTIVACUSTOM.COM

● Standard

○ Optional (may void warranty in certain sizes or construction types)

Above chart does not apply to screen, storm, and combination doors. Captiva Flush Series doors are constructed with a plywood core, hardwood edges and 1/4" wood veneers.



Follow your bliss and the universe will open doors
where there were only walls. - Joseph Campbell

MANUFACTURED AT NORTH ATLANTIC CORP.



Learn about our other custom millwork products made in Somerset, MA:



Cooper Preassembled Stairs
cooperstairworks.com



Cooper Stair Selection Guide
cooperstairworks.com



Captiva Custom MDF Doors
captivacustom.com



Captiva Custom Mouldings
captivacustom.com